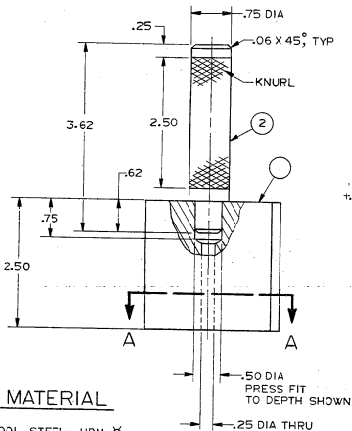
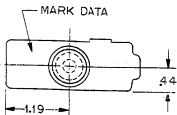


NOTES: DO NOT SCALE DRAWING.
UNLESS OTHERWISE SPECIFIED,
BREAK ALL CORNERS .03

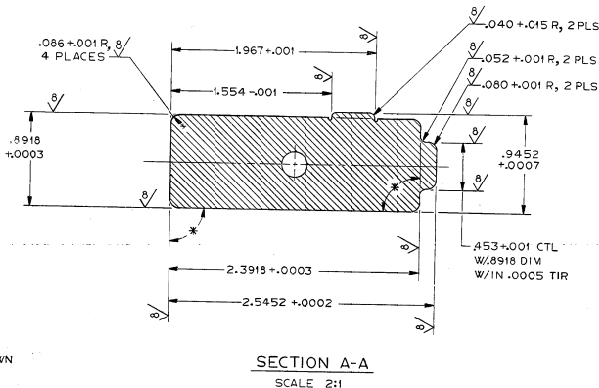
APPLICABLE SPECIFICATIONS:
ANSI-Y14.5
ANSI-B46J
MIL-G-1294H

NOTE: ANGLES MARKED * TO BE
SQUARE WITHIN .0005



MATERIAL

- ① ONE - TOOL STEEL - HDN ✕
- ② ONE - MACHINE STEEL



SECTION A-A
SCALE 2:1

REVISIONS				
LTR	NO	DESCRIPTION	DATE	APPROVED
A		ORIGINAL DRAWING		
B	>	NORW 130015/79-04-05	79-04-05	(S) 14
C	-	NOP W502266 85-05-24	85-06-10	85-2

MARK DATA IN BLOCK BELOW ON GAGE IN POSITION SHOWN

LATEST REVISED SYMBOL

8439649
RIFLE, 5.56MM
8448580
8448606
MAGAZINE WELL (FUNCTIONAL)
OVERHAUL (RE-HARDCOATED)
U.S. GOVT INSP

D8448606 M16
D8448580 M16AI
APPLICATION

UNLESS OTHERWISE SPECIFIED
DIMENSIONS ARE IN INCHES

TOLERANCES ON .XXX ±.005 ANGLES ±2°

MATERIAL -
AS NOTED-GENL FNISH

HARDNESS -
% ROCKWELL C 62 MIN OR EQUIVALENT

ORIGINAL DATE
OF DRAWING 31 JUL 70

DRAFTSMAN
SCHROEDER
CHECKER
TRACER

ENGINEER
SUBMITTED

APPROVED
Robert L. Wilandorf

APPROVED
[Signature]

CURRENT DESIGN ACTIVITY FSCM NO. 19200
U.S. ARMY ARMAMENT RESEARCH AND DEVELOPMENT CENTER
DOVER, NEW JERSEY 07801

ROCK ISLAND ARSENAL
ROCK ISLAND, ILLINOIS 61201

GAGE, PLUG, SPECIAL

DWG SIZE 1066-1086-NO

C 19204

8439649

SCALE 1:1

UNIT WT

SHEET 1 OF 1