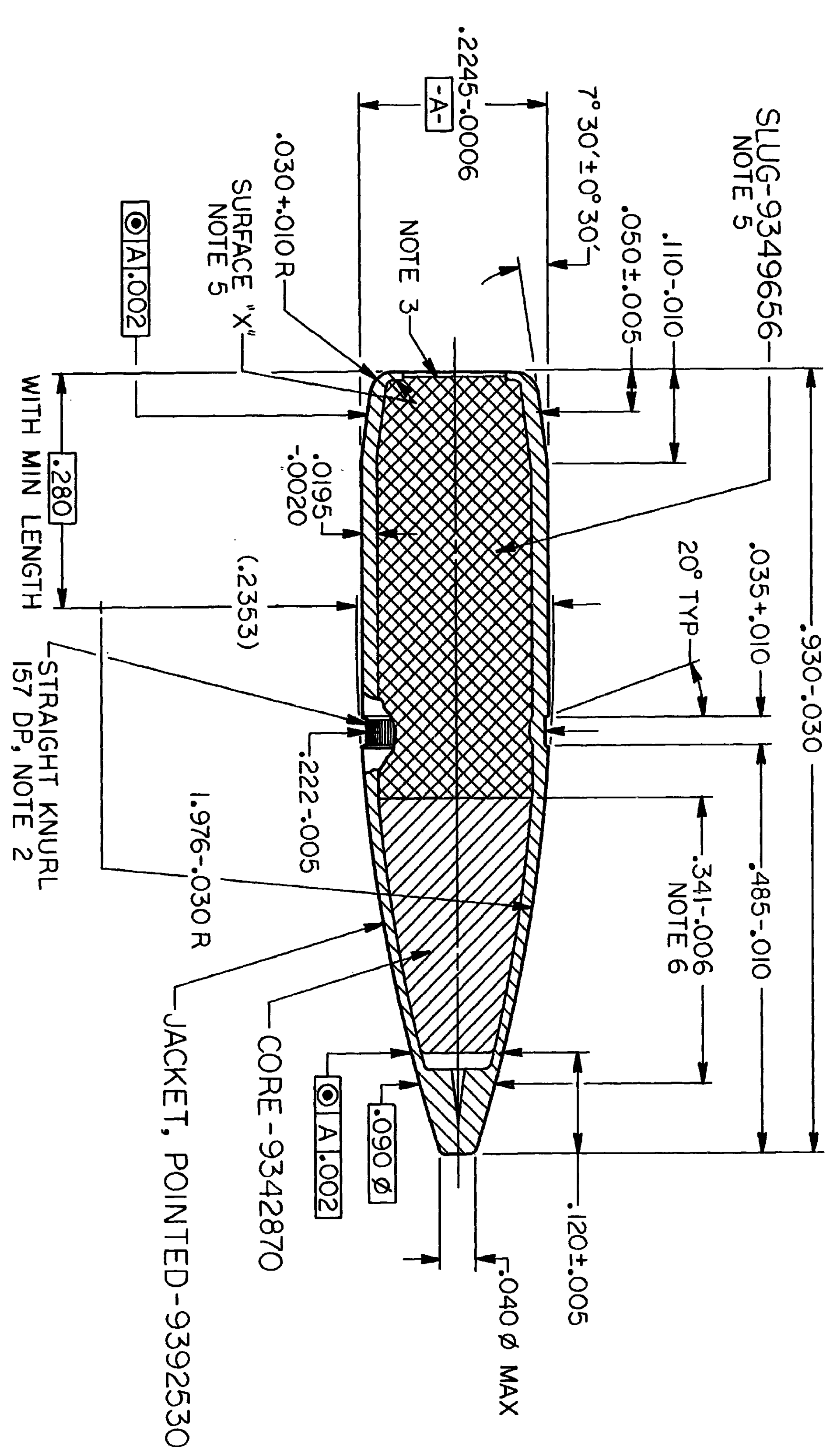
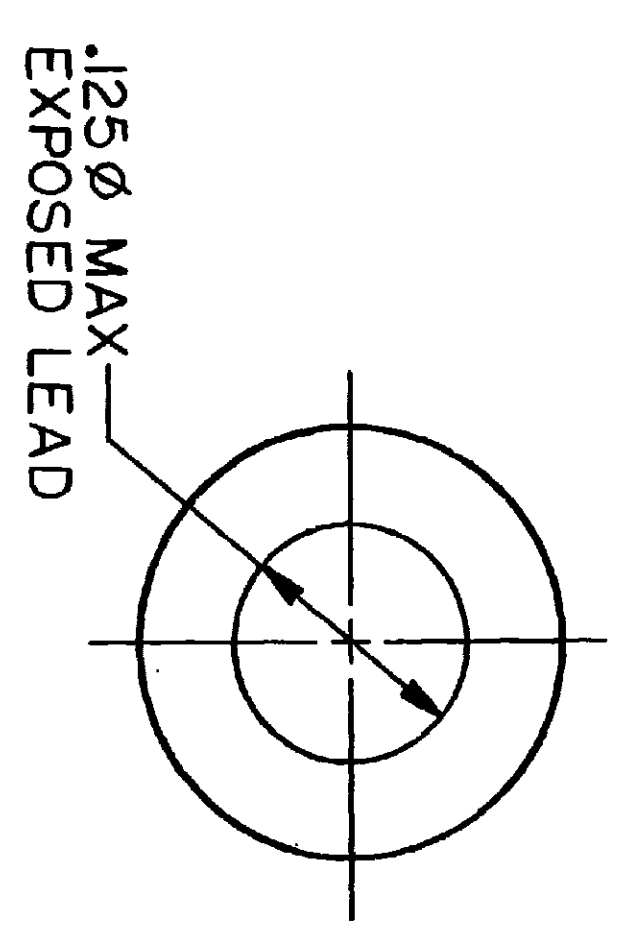


- NOTES:
- 1-SPEC MIL-A-2550 AND MIL-C-63989(AR) APPLY.
 - 2-CANNELLURE MAY VARY TO SUIT MANUFACTURER'S PRACTICE.
 - 3-LEAD TO BE FLUSH OR BELOW BASE OF BULLET.
 - 4-UNIT WEIGHT: 61.8±1.5 GRAINS.
 - 5-SLUG MUST BE 100% IN CONTACT WITH SURFACE "X". NO VOIDS PERMITTED.
 - 6-CHECK DIMENSION IN PROCESS.



REVISIONS			
SYN	DESCRIPTION	DATE	APPROVAL
-	PRODUCTION RELEASE	850225	WJS
-	ERR A652504 850221		
A	NOR R852030 981209	990120	KV
B	NOR R153012 010412	010503	RLV
C	NOR R0553009/080528	080619	BMG

OBSOLETE

PART NO. 9392531

U S ARMY ARMAMENT RESEARCH AND DEVELOPMENT CENTER
DOVER, NEW JERSEY 07801

BULLET, BALL, 5.56MM
(ALTERNATIVE)

SIZE	FSCM NO.	9392531
D	19200	
SCALE	UNIT WTS SEE NOTE 4 SHEET	

DISTRIBUTION STATEMENT A
APPROVED FOR PUBLIC RELEASE;
DISTRIBUTION IS UNLIMITED.

MECHANICAL PROPERTIES	
YP	
TS	
EL2	
RA	
BH	
RH	

DO NOT SCALE DRAWING
UNLESS OTHERWISE SPECIFIED
DIMENSIONS ARE IN INCHES
TOLERANCES ON DECIMALS =
FRACTIONS = ANGLES = 0° 30'

ORIGINAL DATE OF DRAWING		85-02-25
DRAFTSMAN	CHECKER	
ENGR RPN	ENGR	
ENGR	ENGR	

9342868	CRTG, 5.56MM, BALL, M855	USED ON
NEXT ASSY		
APPLICATION		