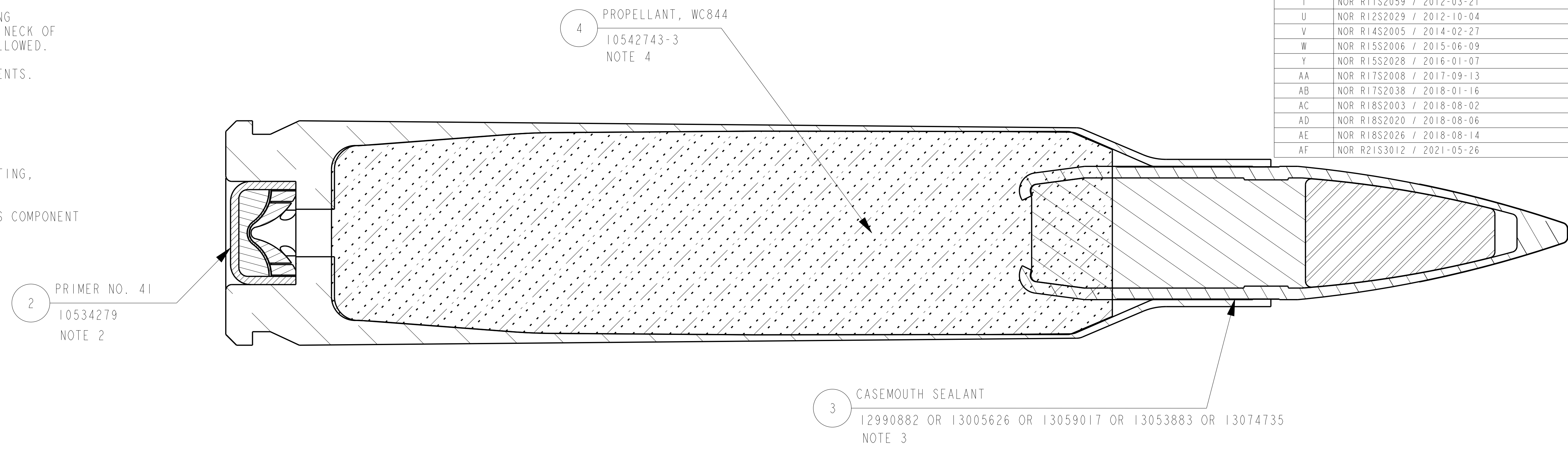
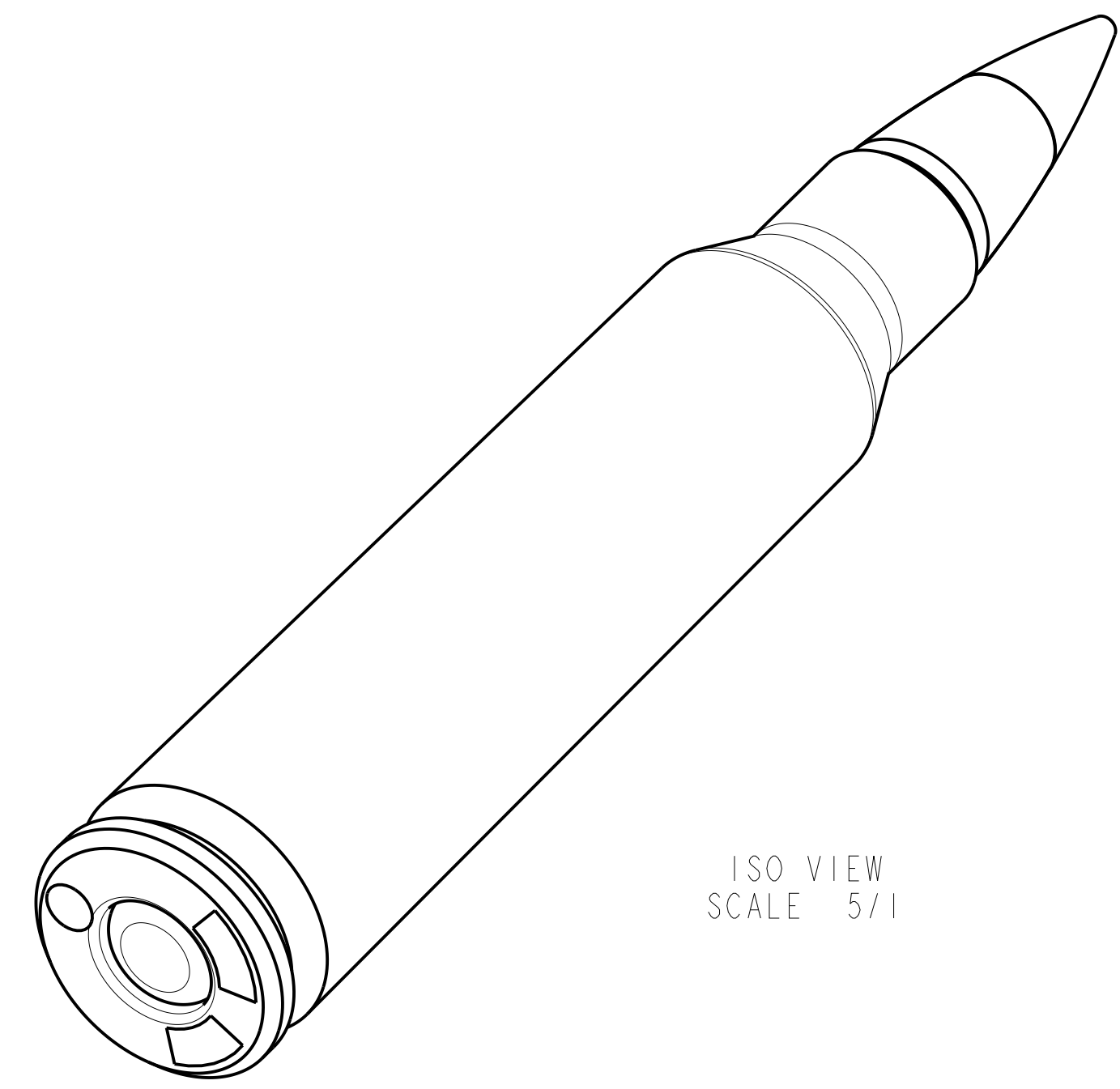
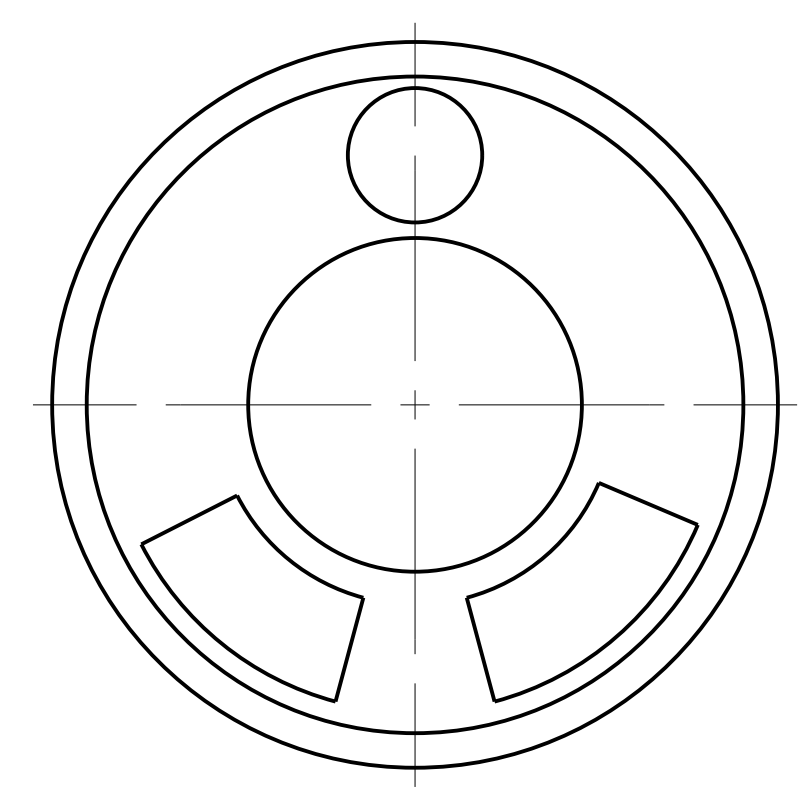
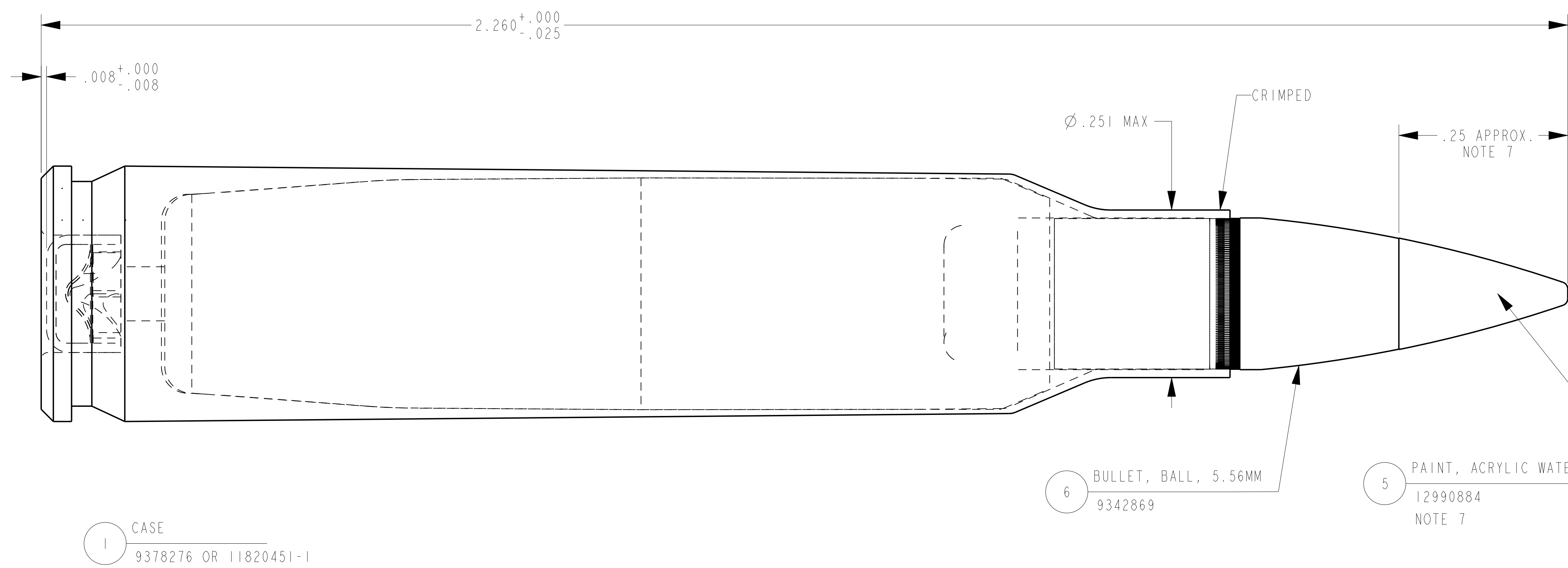


- SPEC MIL-A-2550, MIL-DTL-63989 AND DRAWING NO. 9357841 APPLY.
- PRIMER TO BE SECURED IN POCKET BY CIRCULAR CRIMP, JOINT BETWEEN WALLS OF PRIMER AND POCKET TO BE WATERPROOFED WITH A VISIBLE MATERIAL, SPEC MIL-L-10287 (SEE NOTE 6).
- MOUTH WATERPROOFING BY DRAWING NO. 12990882 OR DRAWING NO. 13005626 OR DRAWING NO. 13059017 OR DRAWING NO. 13053883 OR DRAWING NO. 13074735. APPLIED IN THE NECK OF THE CASE PRIOR TO BULLET INSERTION. MIXING OF SEALANTS WITHIN A LOT IS NOT ALLOWED.
- THE PROPELLANT CHARGE WEIGHT MAY BE VARIED TO COMPLY WITH BALLISTIC REQUIREMENTS.
- UNIT WT.:  $190^{+0}_{-14}$  GRAINS.
- THINNER- DOPE AND LACQUER (CELLULOSE NITRATE), SPEC A-A-857, USE WITH NOTE 2.
- IDENTIFICATION PAINT: GREEN NO. 34138 OF AMS-STD-595, WATERBASED ACRYLIC COATING, PER DRAWING NO. 12990884.
- HAZARD IDENTIFICATION: FOR SAFETY DATA SHEET REQUIREMENTS, REFER TO HAZARDOUS COMPONENT SAFETY DATA SHEET NO. 1728.
- INSPECTION EQUIPMENT IAW 13075727-2.

REVISIONS			
REVISION	DESCRIPTION	DATE(YEAR-MO-DA)	APPROVED
M	REDRAWN WITH CHANGE NOR R05S3009 / 2008-05-28	2008-06-19	BMG
N	NOR R08S3012 / 2008-11-20	2008-11-20	BMG
P	NOR R09S2024 / 2010-10-22	2010-11-04	BMG
R	NOR R10S2043 / 2010-12-07	2010-12-14	BMG
T	NOR R11S2059 / 2012-03-21	2012-04-02	JTD
U	NOR R12S2029 / 2012-10-04	2012-10-16	JTD
V	NOR R14S2005 / 2014-02-27	2014-03-24	BAC
W	NOR R15S2006 / 2015-06-09	2015-06-18	JTD
Y	NOR R15S2028 / 2016-01-07	2016-01-21	BAC
AA	NOR R17S2008 / 2017-09-13	2017-10-05	NAS
AB	NOR R17S2038 / 2018-01-16	2018-02-07	BAC
AC	NOR R18S2003 / 2018-08-02	2018-08-08	JTD
AD	NOR R18S2020 / 2018-08-06	2018-08-16	BAC
AE	NOR R18S2026 / 2018-08-14	2018-08-24	NAS
AF	NOR R21S3012 / 2021-05-26	2021-05-27	SCJ



CARTRIDGE CONFIGURATIONS			
CARTRIDGE	BULLET	SLUG	REMARKS
9342868-1	9342869	9349656	LEAD BASED SLUG



ITEM OR FIND NO.	QTY. REQ.	CAGE CODE	PART NO. OR IDENTIFYING NO.	NOMENCLATURE OR DESCRIPTION	REMARKS
6	1	19200	9342869	BULLET, BALL, 5.56MM	
5	1	19200	12990884	PAINT, ACRYLIC WATERBASED, FOR BULLET TIP IDENTIFICATION	NOTE 7
4	1	19200	10542743-3	PROPELLANT, WC844	NOTE 4
3	1	19200	12990882 OR 13005626 OR 13059017 OR 13053883 OR 13074735	CASEMOUTH SEALANT	NOTE 3
2	1	19200	10534279	PRIMER NO. 41	NOTE 2
1	1	19200	9378276 OR 11820451-1	CASE	

THIS DRAWING WAS GENERATED FROM A SOLID MODEL AND IS CAD MAINTAINED. CHANGES SHALL BE INCORPORATED BY THE DESIGN ACTIVITY.

PART NO. SEE TABLE

<b>PMIC</b> MECHANICAL PROPERTIES YP TS EL2 RA BH RH	<b>DO NOT SCALE DRAWING</b> UNLESS OTHERWISE SPECIFIED DIMENSIONS ARE IN INCHES TOLERANCES ON ANGLES ± ° 2 PLACE DECIMALS ± 3 PLACE DECIMALS ± THIRD ANGLE PROJECTION 	CONTRACT NUMBER CONTRACTOR DRAWN BY: B NICEWANNER 1980-10-25 CHECKER: G STRAHL ENGINEER: QUALITY ENGINEER DRAWING APPROVAL: S REGISTE 2008-05-28 DESIGN APPROVAL: D GUZIEWICZ 2008-05-28	DESIGN ACTIVITY: US ARMY ARMAMENT RESEARCH, DEVELOPMENT AND ENGINEERING CENTER PISCATAWAY ARSENAL, NEW JERSEY 07806-5000 CARTRIDGE, 5.56MM, BALL, M855 SIZE: F CAGE CODE: 19200 DWG NO.: 9342868 SCALE: 10/1 UNIT WT.: SEE NOTE 5 SHEET: 1 OF 1
APPLICATION: NEXT ASSY USED ON MATL ENGR MODELED BY B NICEWANNER		APPLICATION: FINAL	