



S.A.W.  
LAW ENFORCEMENT SALES

---

6503 W. FRYE ROAD, SUITE 12  
CHANDLER, ARIZONA 85226  
(602) 940-7397 (SHOP) • (602) 940-6323 (FAX)



FIREARMS  
PARTS & ACCESSORIES  
SERVICE & REPAIRS

Digitized by:

**SMALL ARMS** | OF THE WORLD  
SMALLARMSOFTHEWORLD.COM

Welcome to the long awaited and repeatedly delayed S.A.W. Catalog. We hope this booklet will help everyone looking for top-of-the-line parts, innovative accessories, and high quality firearms. We try to support the needs of users from occasional shooters to collectors and from match shooters to law enforcement departments and tactical teams. With this wide range of requirements, S.A.W. has a monster inventory of replacement and upgrade parts as well as a very capable custom shop. Because we are constantly purchasing parts, new & used firearms, police trade-ins, Class III gear, and other high-speed goodies, it is impossible to list everything we have in stock at any one time. If you have specialized wants or needs, please call, fax or e-mail us. We will do our best for you.

Keep up the fire,  
Ken Elmore  
Owner, MFIC

## TERMS AND CONDITIONS

Orders for firearms and serial numbered receivers will be processed only to licensed F.F.L. Dealers with current F.F.L.'s on file or Police Agencies on Department Purchase Order (F.E.T. exempt).

**Placing Orders:** Orders can be placed via mail, phone, fax or e-mail ([saw11e@hotmail.com](mailto:saw11e@hotmail.com)). Be sure to specify weapon system and use nomenclature found in this catalog if possible. **Minimum Order \$25.00.**

**Dealer Orders** - Must have F.F.L. and tax resale number on file. Quantity and discount pricing available to Dealers on request. Dealers can order L/E restricted items. **Min. Dealer Order \$100.00.**

**Department Orders** - Special pricing available for quantity orders and F.E.T. exempt orders. If a bid is required, please submit bid packet for proposal. We will also consider trade-in firearms and related accessories. If the Department would like to evaluate any firearms or equipment that we handle, please call to arrange a demonstration.

**Individual Officer Orders** - Officers can order L/E restricted firearms and discounted accessories directly on Department letterhead. Call for letter format.

**Forms of payment** accepted are as follows: Cash, Personal Check (held 10 days), Cashier's Check, Money Order, Visa, MasterCard & American Express. C.O.D. orders are cash only (C.O.D. charge is \$4.75 extra).

**All orders are FOB Chandler, AZ and shipped UPS Ground, unless otherwise requested. (Please call for shipping charges).** Orders received with insufficient funds for shipping or product will be sent C.O.D. with C.O.D. charge added. Refused C.O.D.'s will be permanently removed from our customer list.

Please include a daytime phone number with all orders.

**\$15.00 charge on all returned checks; No Exceptions.**

If you wish to pick up your order, please call in advance to verify that we have product on hand. **Arizona residents** will be charged **7.25% sales tax** unless Arizona Privilege Tax form(resale #) accompanies your order.

COLT LAW ENFORCEMENT DISTRIBUTOR  
FIREARMS — PARTS — ACCESSORIES



QUALITY MAKES IT A COLT

COLT

LAW ENFORCEMENT ARMORER COURSES  
TACTICAL WEAPONS TRAINING COURSES

AVAILABLE ON REQUEST

## NEW CUTTING EDGE PRODUCTS

There are so many items being developed and tested at any one time, that it is impossible to include everything in any catalog. Here are some of the latest goodies:

1. Magazine spring, 30rd 5.56mm M16A2/M4 - Heavy duty magazine spring made of aerospace wire developed for NASA - 25% greater feed strength and 100-times the load life. Great for any application where magazines are kept loaded for long periods and must maintain reliability.
2. Front sight assembly, folding M16A2/M4 - with ambidextrous "hard point" tactical sling attachments. This sight assembly is great for any application where the front sight should fold out of view or fold for ease of carry. Designed to use in conjunction with the IRS or Navy folding rear sight.
3. Buffer assembly, Colt 5.56mm SMG (U.S. NAVY) - Designed for use in a proto-type Navy 10in. barrel M4(A3) SMG. This compact, full-power weapon is being developed for aircrews and as a long range shooter back-up weapon.
4. Rear sight assembly, diaptor, folding/adjustable (U.S. NAVY) - Compact, heavy duty rear sight assembly with variable range settings, adjustable for windage. Designed to be used on the M4(A3) flat-top or any other light weight flat-top incorporating optical or night-vision sighting.
5. Integrated Rail System (IRS) - is a semi-permanent MIL-SPEC 1913 Rail System which bolts onto any M16/M4/AR15A3 flat-top receiver and incorporates a folding A2 rear sight assembly. Although it has been on the market in limited numbers for the past couple of years, this rail system is just now being recognized as an excellent platform for aim-points, magnified optics, throw-lever mounted optics, laser designators and night vision. With tight machining tolerances this rail has excellent return-to-zero capability.
6. Colt Side Mounting Sling Adapter - M16A1-A2/M4/M203 -this new MIL-SPEC "hard point" mount fits all U.S. Spec military barrels and allows all NATO 1.25in. slings to be mounted on the right or left side of the firearm. Works especially well in conjunction with the CAR-15 ambidextrous rear hard point attachment.
7. Semi-auto Two-stage Trigger Group - this "drop-in" unit was designed from the excellent M1/M14 trigger system but works off the Colt AR-15 or Colt Sporter trigger and hammer axis pins. The first stage is created by the trigger spring and the second by the sear and sear spring. This unit provides the smoothest firing mechanism ever seen in an AR type firearm.
8. Side Mount Adapter, Colt M4 stock - this two piece slot-fit unit bolts together through the rear sling attachment of the Colt nylon CAR-15/M4 stock. Using a snap in sling swivel, it provides a quick-detach ambidextrous "hard-point" sling mount. Works extremely well with either the folding front sight assembly or the Colt side mounting adapter and the Giles Tactical sling.



## ACCURATE ~ DEPENDABLE ~ LIGHTWEIGHT ~ VERSATILE

### Match Target Rifles(Post-Ban)

MT6530	1x7	16in	Rifle (Lwt)	A2	\$759.00
MT6551	1x7	20in	Rifle (Gov't)	A2	\$769.00
MT6601	1x7	20in	Rifle (HBAR)	A2	\$789.00
MT6700	1x9	20in	Rifle (HBAR)	A3	\$799.00
MT6731	1x9	16in	Rifle (HBAR)	A3	\$779.00
MT6900	1x9	20in	Rifle (HBAR)	A2	\$799.00

Push-pin lower receiver add \$40.00

### Law Enforcement Rifles & Carbines

MT6520	1X7	16in	Carbine (Lwt)	A2	\$749.00
MT6521	1X9	16in	Carbine (HBAR)	A2	\$769.00
MT6721	1X9	16in	Carbine (HBAR)	A3	\$789.00
AR6520	1X7	16in	Carbine (Lwt)	A2	\$729.00
AR6521	1X9	16in	Carbine (HBAR)	A2	\$749.00
AR6721	1X9	16in	Carbine (HBAR)	A3	\$749.00
AR6530	1X7	16in	Rifle (Lwt)	A2	\$759.00
AR6551	1X7	20in	Rifle (Gov't)	A2	\$769.00
AR6601	1X7	20in	Rifle (HBAR)	A2	\$799.00

Push-pin lower receiver included on all L/E weapons.

### M16A2 SMG's & Carbines (Department Purchase Only)

RO633	9mm	7in	SMG	—	\$682.00
RO635	9mm	10in	SMG	—	\$654.00
RO733	5.56mm	11.5in	SMG	—	\$677.00
RO933	5.56mm	11.5in	SMG	A3	\$784.00
RO777	5.56mm	14.5in	Carbine	A2	\$788.00 (M4)
RO977	5.56mm	14.5in	Carbine	A3	\$894.00 (M4)

There are dozens of Colt Law Enforcement, entry team and tactical select-fire weapons combinations available upon request- please advise.

S.A.W. will consider used, trade-in, and Law Enforcement as well as seized firearms or parts thereof as partial or complete trade on new firearms and equipment.

### COLT UPPER RECEIVER ASSEMBLIES

AR6520	1x7	16in	A2		\$489.00
AR6530	1x7	16in	A2		\$479.00 (MT)
AR6521	1x9	16in	A2	HBAR	\$489.00
AR6551	1x7	20in	A2		\$479.00 (MT)
AR6551B	1x7	16.75in	A2		\$489.00 (MT)
AR6600	1x7	20in	A2	HBAR	\$599.00
AR6601	1x7	20in	A2	HBAR	\$479.00 (MT)
AR6601B	1x7	16.75in	A2	HBAR	\$489.00 (MT)
AR6700	1x9	20in	A3	HBAR	\$499.00 (MT)
AR6700B	1x9	16.75in	A3	HBAR	\$499.00 (MT)
AR6721	1x9	16in	A3	HBAR	\$499.00
AR6731	1x9	16in	A3	HBAR	\$489.00 (MT)
AR6900	1x9	20in	A2	HBAR	\$479.00 (MT)
AR6900B	1x9	16.75in	A2	HBAR	\$489.00 (MT)

B - Bush Rifle - Long Sight Radius, Reduced Length

AR - AR/Sporter Pre-ban Barrels

MT - Match Target Post-ban Barrels (pricing same as AR)

### Class III

Commando	1x7	10in	Lwt	A2	\$479.00*	A3	\$499.00*
Commando	1x9	10in	HBAR	A2	\$479.00*	A3	\$499.00*
Commando	1x7	11.5in	Lwt	A2	\$479.00*	A3	\$499.00*
Commando	1x9	11.5	HBAR	A2	\$479.00*	A3	\$499.00*
M4	1x7	14.5in		A2	\$599.00	A3	\$649.00
HBAR Carbine	1x9	14.5in	HBAR	A2	\$479.00	A3	\$499.00

\*Recommended use with Colt SMG buffer

Many specialty barrels available upon request

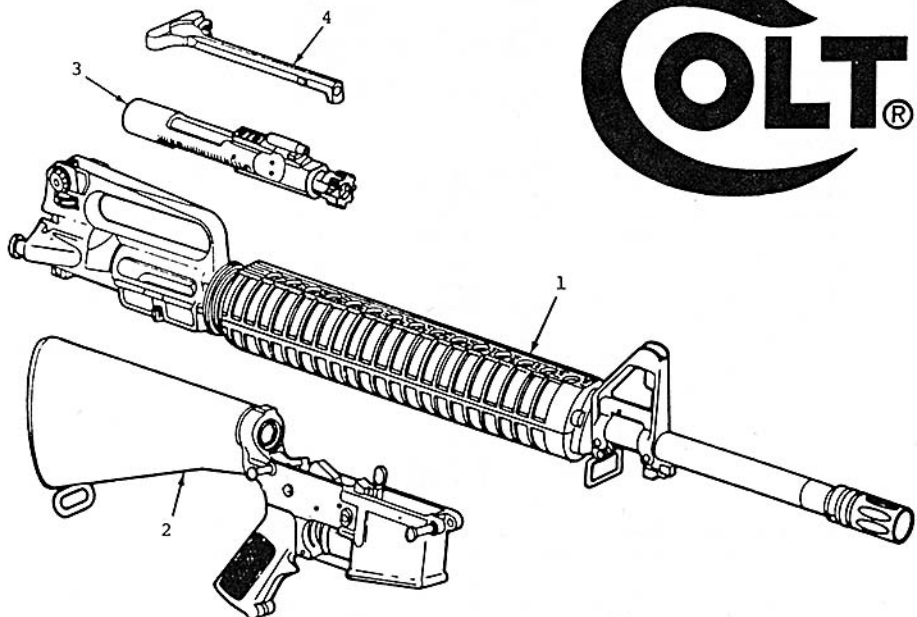
Bolt group & charging handle with upper assembly:

Semi-auto \$100.00    Select-fire \$150.00

### COLT ARMORER SPECIALTY TOOLS

Barrel Vise Jaw Blocks	Firing Pin Protrusion Gauge
Upper Receiver Blocks	Barrel Nut Alignment Gauge
Armorer Wrench GI (3 Prong)	Barrel Straightness Gauge
Armorer Wrench (15 Prong)	Muzzle Erosion Gauge
Headspace Gauge (4 set)	Throat Erosion Gauge
Go, 1.464in	CAR Stock Wrench HD
No-Go, 1.467in	M4 Stock Wrench
Field, 1.470in	Foot Pound Torque Wrench
Max, 1.4736in	Inch Pound Torque Wrench
Roll Pin Holder Set	Pin Punch Set
Roll Pin Punch Set	Front Sight Alignment Gauge, Rifle
Bolt Catch Removal Punch	Front Sight Alignment Gauge, CAR

# COLT®



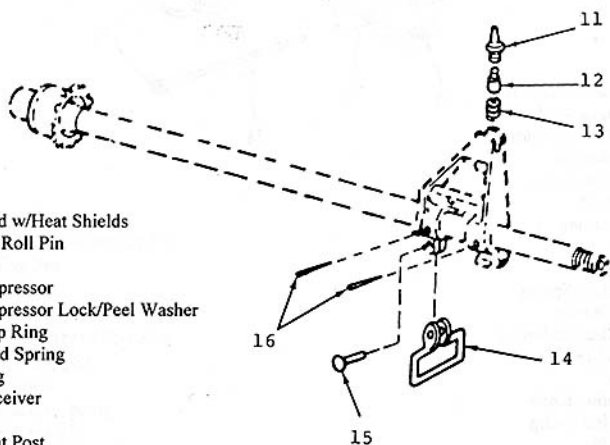
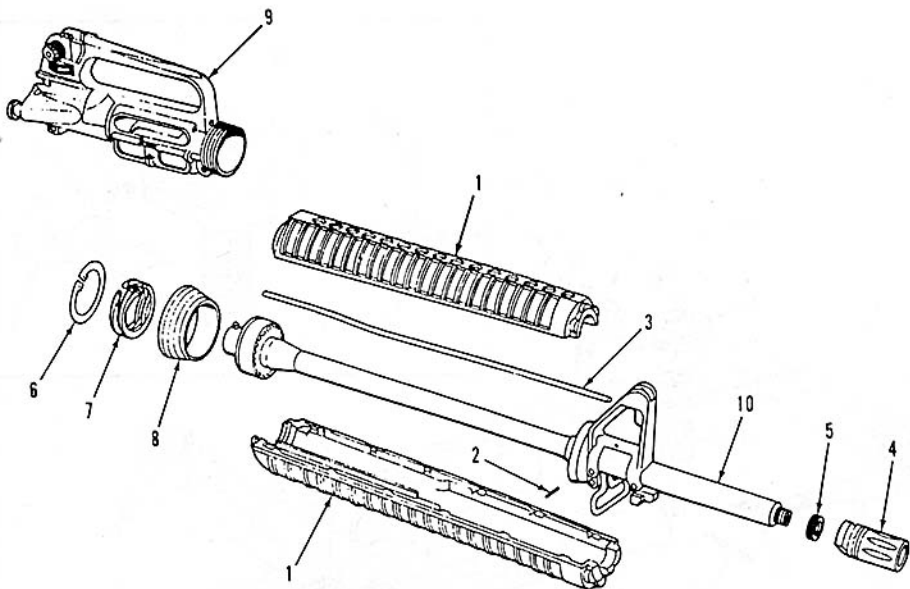
## Combat Proven Family of Weapons

1. Upper Receiver Assy
2. Lower Receiver Assy
3. Bolt Carrier Group
4. Charging handle

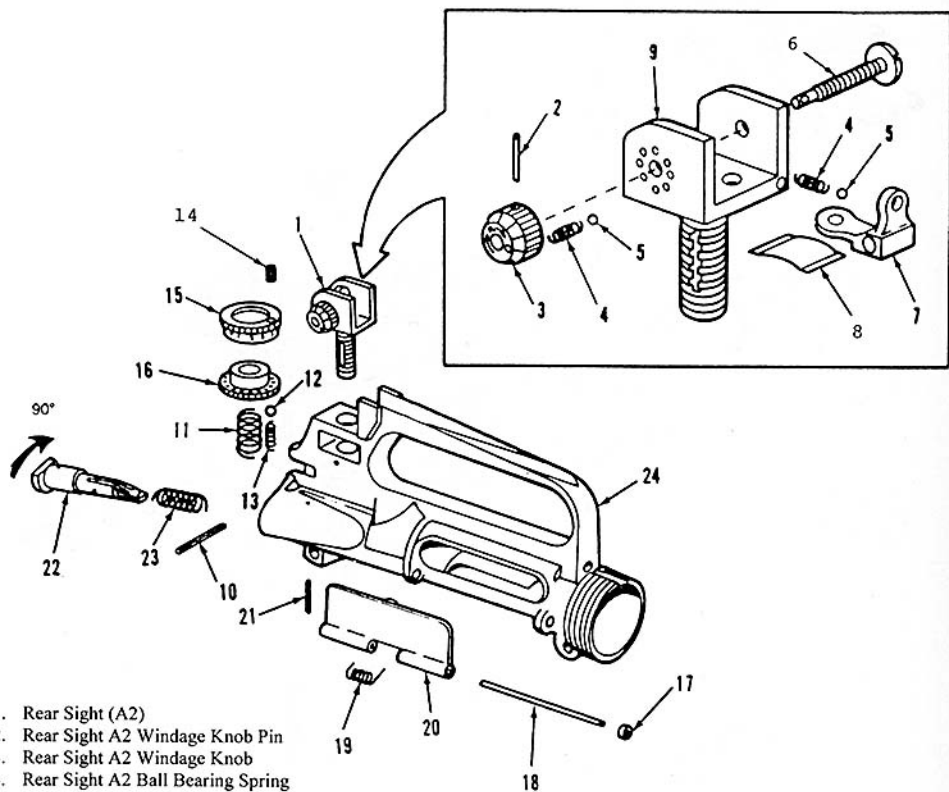


## Colt M16A2 Rifle

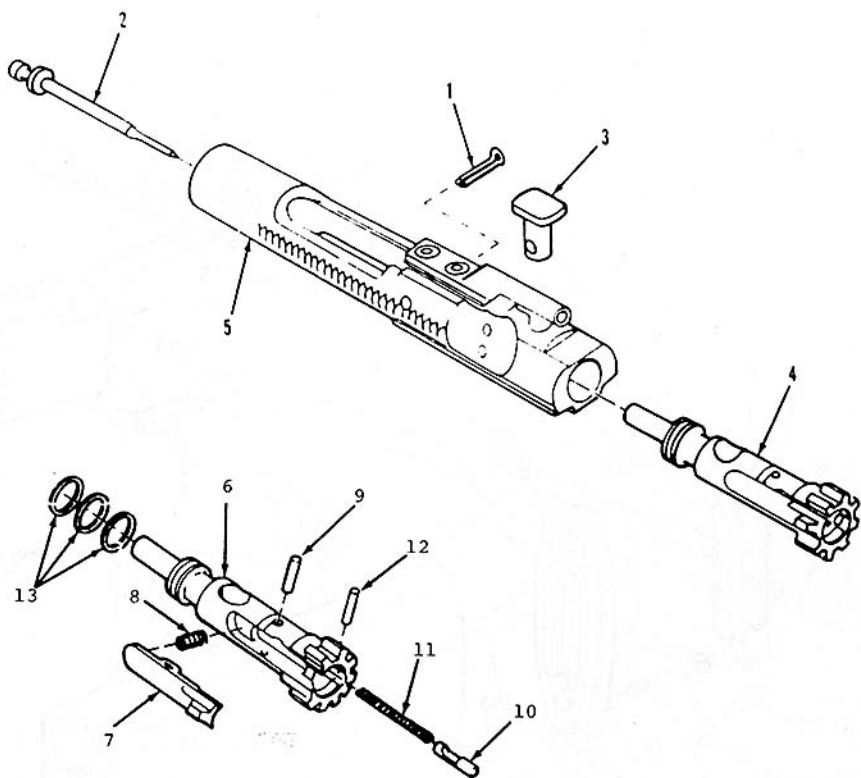
Caliber: 5.56mm NATO (.223 REM)  
Weight: w/30rd Mag - 3.99Kg (8.79lbs)  
Length: Rifle w/Compensator - 39 5/8  
Rifling: RH 1/7 Twist  
Firing Characteristics:  
Muzzle Velocity - 3,100 fps (approx.)  
Chamber Pressure - 52,000 psi  
Cyclic Rate - 800 rpm  
Max Effective Rates of Fire:  
Semi - 45 rpm  
Burst - 90 rpm  
Sustained Rate of Fire:  
12/15 rpm  
Max Effective Range:  
550 Meters (Point Target)  
800 Meters (Area Target)  
Max Range:  
3,534 Meters



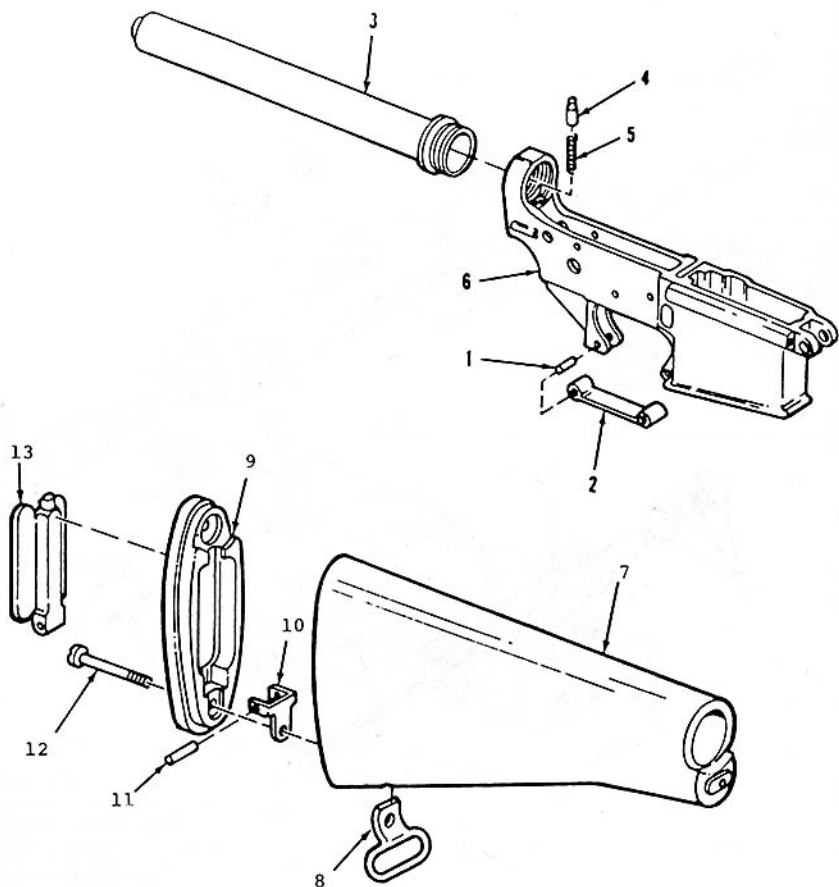
1. Handguard w/Heat Shields
2. Gas Tube Roll Pin
3. Gas Tube
4. Flash Suppressor
5. Flash Suppressor Lock/Peel Washer
6. Delta Snap Ring
7. Delta Weld Spring
8. Delta Ring
9. Upper Receiver
10. Barrel
11. Front Sight Post
12. Front Sight Detent
13. Front Sight Detent Spring
14. Swivel, Front
15. Swivel Pin
16. Front Sight Post Taper Pins



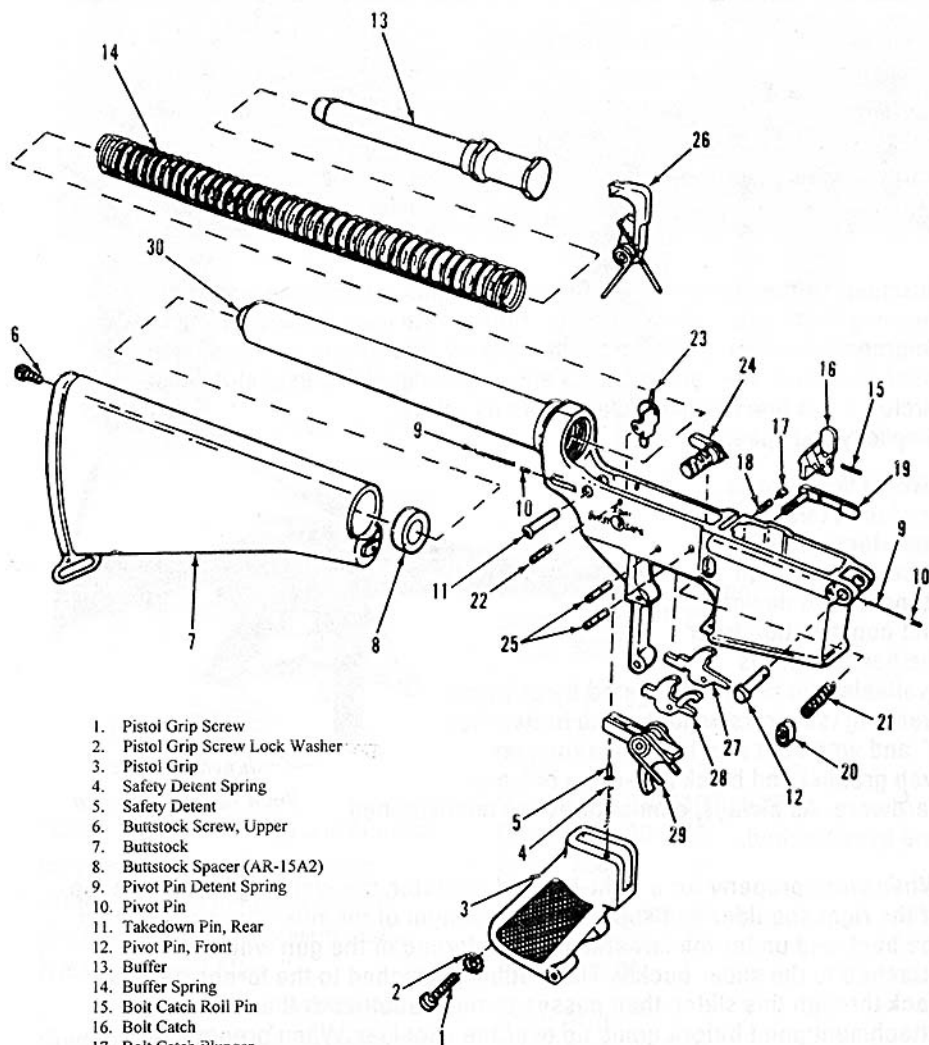
1. Rear Sight (A2)
2. Rear Sight A2 Windage Knob Pin
3. Rear Sight A2 Windage Knob
4. Rear Sight A2 Ball Bearing Spring
5. Rear Sight A2 Ball Bearing
6. Rear Sight A2 Windage Screw
7. Rear Sight A2 Aperture
8. Rear Sight A2 Leaf Spring
9. Rear Sight A2 Base
10. Rear Sight A2 Base Pin
11. Rear Sight A2 Elevation Spring
12. Rear Sight A2 Ball Bearing
13. Rear Sight A2 Ball Bearing Spring
14. Rear Sight A2 Index Screw
15. Rear Sight A2 Index
16. Rear Sight A2 Elevation Knob
17. Ejection Port Cover Pin C-clip
18. Ejection Port Cover Pin
19. Ejection Port Cover Spring
20. Ejection Port Cover
21. Forward Assist Retaining Pin
22. Forward Assist
23. Forward Assist Spring



1. Firing Pin Retaining Pin
2. Firing Pin
3. Cam Pin
4. Bolt, Complete
5. Bolt Carrier w/Gas Key
6. Bolt, Stripped
7. Extractor
8. Extractor Spring
9. Extractor Pin
10. Ejector
11. Ejector Spring
12. Ejector Roll Pin
13. Gas Rings



1. Trigger Guard Roll Pin
2. Trigger Guard
3. Buffer Tube
4. Buffer Retainer
5. Buffer Retainer Spring
6. Lower Receiver
7. Buttstock
8. Swivel, Rear
9. Buttstock Buttplate
10. Buttstock Door Hinge
11. Buttstock Door Hinge Pin
12. Buttstock Screw, Lower
13. Buttstock Door



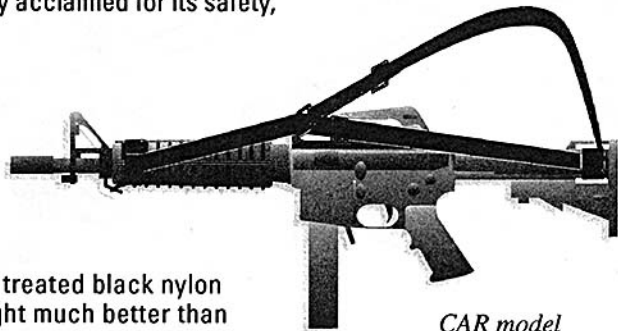
1. Pistol Grip Screw
2. Pistol Grip Screw Lock Washer
3. Pistol Grip
4. Safety Detent Spring
5. Safety Detent
6. Buttstock Screw, Upper
7. Buttstock
8. Buttstock Spacer (AR-15A2)
9. Pivot Pin Detent Spring
10. Pivot Pin
11. Takedown Pin, Rear
12. Pivot Pin, Front
13. Buffer
14. Buffer Spring
15. Bolt Catch Roll Pin
16. Bolt Catch
17. Bolt Catch Plunger
18. Bolt Catch Spring
19. Magazine Catch
20. Magazine Catch Button
21. Magazine Catch Spring
22. Sear Pin (M16 only)
23. Sear, Automatic (M16 only)
24. Safety Selector
25. Hammer/Trigger Pin
26. Hammer & Spring
27. Disconnecter
28. Disconnecter, Three Round Burst (M16A2 only)
29. Trigger & Spring
30. Buffer Tube

## THE GILES TACTICAL SLING

**WARNING:** Mishandling of firearms may cause serious injury or death. Before practicing with your Giles sling make sure your weapon is unloaded and pointed in a safe direction. Study how the sling attaches and how it will move when in use. If the sling interferes with the safe operation or handling of the weapon, discontinue use. For further safety considerations, consult the owner's manual of your weapon and seek professional assistance.

Designed for the real world, the Giles sling brings a whole new and useful meaning to the term "shooting sling." Presently in use with several major law enforcement tactical units across the country, this sling is also gaining acceptance in military special operations and knowledgeable personal-defense circles. It has been highly acclaimed for its safety, simplicity and speed.

Like all Wilderness products, this sling is manufactured to exceptionally high standards of design and construction from the best materials available. We use 1.25" treated black nylon webbing (supports weight much better than 1" and won't cut skin like some rougher web grades) and black non-glare polymer hardware. As always, connections are multistitched and backstitched.



*CAR model  
shown on Colt  
9mm submachinegun*

When worn properly for a right-handed operator, the webbing is over the top of the right shoulder and supporting the weight of the rifle. It passes around the back and under the left armpit to the forend of the gun where it is attached to the slider buckle. The webbing attached to the forend passes back through this slider, then passes through another at the rear stock attachment point before going up over the shoulder. When properly adjusted, the butt of the rifle should sit about just below the right shoulder at about mid-chest level. The butt of the weapon should rest naturally in the shoulder pocket when the weapon is brought up on target. When released, the rifle hangs vertically against the user's chest with the muzzle aimed straight, or slightly angled to, the ground. This allows you to use your hands without losing control or access to your primary weapon and makes operations such as transitioning to a secondary weapon, opening doors or checking a map (just to name a few) significantly easier.

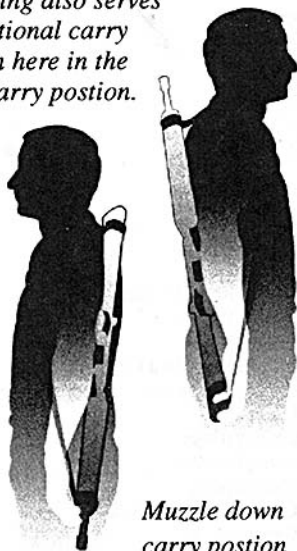


The Giles sling also serves as a conventional carry sling, shown here in the muzzle up carry position.

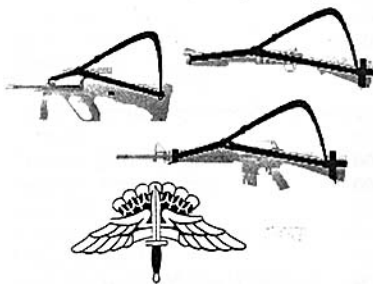


Giles sling in hands-free and on target positions

Available for most popular weapons systems



Muzzle down carry position



"Giles Stock, SWAT cop and Gunsite instructor, has designed what is without a doubt the finest tactical sling ever...an improvement on the H&K Universal Sling."

— Gary Paul Johnston,  
Contributing Editor, *Guns & Weapons*  
for Law Enforcement magazine

"...what I personally feel is the best combat sling ever made...the Giles Sling,"

— Peter G. Kokalis,  
Technical Editor,  
*Soldier of Fortune* magazine

AR-15 fixed (A2 versions)

Order Code 28-1-25

Price: \$49.95

CAR-15 collapsible

Order Code 28-2-25

Price: \$35.00

Remington 870/1100/11-87

Order Code 28-3-25

Price: \$50.00

HK/Benelli Super 90

Order Code 28-4-25

Price: \$25.00

Steyr AUG

Order Code 28-5-25

Price: \$20.00

Color: BK

\*Please specify right or left-handed version.

**COLT FACTORY  
AR15/M16 REPLACEMENT PARTS**

Barrel Nut	8.00
Bolt Carrier AR15	99.00
Bolt Carrier M16	150.00
Bolt Carrier M16 HC Early	125.00
Bolt Carrier Sporter	75.00
Bolt Carrier Key	15.00
Bolt Carrier Key, Hard Chrome	20.00
Bolt Carrier Key Screw	2.00
Bolt Catch	15.00
Bolt Catch Plunger	2.00
Bolt Catch Roll Pin	1.00
Bolt Catch Spring	1.00
Bolt Catch Assy., Complete	16.00
Bolt Gas Rings (3)	3.00
Bolt, Complete	69.00
Bolt, Complete, Hard Chrome	95.00
Bolt Group, Complete AR-15	195.00
Bolt Group, Complete M16	225.00
Bolt Group, Complete Sporter/Match Target	135.00
Buffer Retainer	2.00
Buffer Retainer Spring	1.00
Buffer Spring, CAR	7.00
Buffer Spring, Rifle, Standard	7.00
Buffer Tube, CAR (Forged)	79.00
Buffer Tube, Rifle, Standard (Forged)	28.00
Buffer, CAR	20.00
Buffer, Commando-SMG	68.00
Buffer, Commando-Hydraulic	POR
Buffer, Rifle, Standard	20.00
Buttstock, Complete A2 Rifle	70.00
Buttstock Buttplate, Rifle Assy.	18.00
Buttstock Buttplate, Rifle	7.00
Buttstock Screw (AR-15A1) Lower	3.00
Buttstock Screw (AR-15A1) Upper	2.00
Buttstock Screw (AR-15A2) Lower	2.00
Buttstock Screw (AR-15A2) Upper	3.00
Buttstock Spacer (AR-15A2)	5.00
Buttstock, Complete CAR (Nyl.) 4 pos.	195.00
Buttstock, Complete 9mm (Nyl.) 4 pos.	195.00
Buttstock, Complete SMG 5.56mm (Nyl.) 4 pos.	250.00
Buttstock Plate, CAR	10.00
Buttstock Ring, CAR	10.00
Buttstock Ring, M4 CAR	13.00
Cam Pin	10.00
Cam Pin, Hard Chrome	15.00

Carry Handle, A2 Sights (For Flat Top Receiver)	95.00
Charging Handle, Complete	35.00
Cheek Piece, Colt (w/o Colt logo)	69.00
Cheek Piece, Colt (w/ Colt logo)	99.00
Delta Ring, Aluminum	12.00
Delta Snap Ring	3.00
Delta Weld Spring	4.00
Delta Ring Assy.	16.00
Disconnecter Spring, Early	1.00
Disconnecter Spring, Late	1.00
Disconnecter, AR-15 Early	20.00
Disconnecter, AR-15 Late	20.00
Disconnecter, Sporter/Match Target	15.00
Disconnecter, M-16	25.00
Ejection Port Cover Pin w/C-clip	3.00
Ejection Port Cover Spring	1.00
Ejection Port Cover, A1	12.00
Ejection Port Cover, A2	12.00
Ejection Port Cover Assy., Complete	14.00
Ejector	3.00
Ejector Roll Pin	1.00
Ejector Spring	1.00
Extractor Pin	2.00
Extractor Spring	3.00
Extractor Spring Assy. (w/ rubber insert)	4.00
Extractor	16.00
Extractor, Hard Chrome	20.00
Firing Pin Retaining Pin	1.00
Firing Pin, AR-15	12.00
Firing Pin, AR-15, Titanium	20.00
Firing Pin, M-16	12.00
Flash Suppressor (M-16A1) Birdcage	9.00
Flash Suppressor (M-16A2) Mod. Birdcage	9.00
Flash Suppressor Lock Washer (M-16A1)	1.00
Flash Suppressor Peel Washer (M-16A2)	3.00
Forward Assist Retaining Pin	1.00
Forward Assist Spring	1.00
Forward Assist, Large Partial Round, Complete	39.00
Forward Assist, Large Round, Complete	39.00
Forward Assist, Round, Complete	25.00
Forward Assist, Tear Drop, Complete	20.00
Front Sight Detent	2.00
Front Sight Detent Spring	1.00
Front Sight Post, Round (M-16A1)	5.00
Front Sight Post, Round Match (.050 in)	12.00
Front Sight Post, Square (M-16A2)	7.00
Front Sight Taper Pin	1.00
Front Sight Taper Pin, Oversize	3.00
Front/Rear Sight Tool (A1 or A2)	7.00
Gas System, SMG (La France)	195.00

Gas Tube Roll Pin, Stainless	1.00
Gas Tube, Rifle	18.00
Gas Tube, CAR	18.00
Hammer Pin	2.00
Hammer Pin, Oversize, Match	3.00
Hammer Spring	2.00
Hammer, AR-15	50.00
Hammer, Sporter/Match Target	40.00
Hammer, M-16A1	65.00
Hammer, M-16A2	40.00
Hand Guard, Carbine	35.00
Hand Guard, Carbine, M4	69.00
Hand Guard, Standard, M-16A2	30.00
Lower Parts Set w/Pistol Grip, AR-15	150.00
Lower Parts Set w/Pistol Grip, AR-15A2	150.00
Lower Parts Set w/ Pistol Grip, Sporter/MT	100.00
Lower Parts Set w/Pistol Grip, M-16A1	195.00
Lower Parts Set w/Pistol Grip, M-16A2	195.00
Magazine Catch	7.00
Magazine Catch Button (aluminum)	5.00
Magazine Catch Spring	1.00
Magazine Spring, Extended Life	4.00
Offset Adapter Pin/Screw	12.00
Pistol Grip Screw, Stainless	3.00
Pistol Grip Screw Lock Washer, Stainless	1.00
Pistol Grip, M-16A1	10.00
Pistol Grip, M-16A2	15.00
Pivot Pin (Front Take Down Pin)	5.00
Pivot Pin Detent	1.00
Pivot Pin Detent Spring	1.00
Pivot Pin, Colt AR-15/Sporter (SAW Push Type)	9.00
Pivot Pin, Colt AR-15/Sporter (Screw Type)	8.00
Pivot Pin, Match Target (Screw Type)	8.00
Rear Sight A1 Adjustment Screw	5.00
Rear Sight A1 Aperture	15.00
Rear Sight A1 Detent	1.00
Rear Sight A1 Detent Spring	1.00
Rear Sight A1 Drum Roll Pin	1.00
Rear Sight A1 Flat Spring	1.00
Rear Sight A1 Windage Drum	5.00
Rear Sight A1, Assy.	30.00
Rear Sight A2 Aperture	10.00
Rear Sight A2 Ball Bearing	1.00
Rear Sight A2 Ball Bearing Spring	1.00
Rear Sight A2 Base	15.00
Rear Sight A2 Base Pin	1.00
Rear Sight A2 Elevation Index	8.00
Rear Sight A2 Elevation Knob	8.00
Rear Sight A2 Elevation Spring	1.00
Rear Sight A2 Index Screw	2.00

Rear Sight A2 Leaf Spring	1.00
Rear Sight A2 Windage Knob	8.00
Rear Sight A2 Windage Knob Pin	1.00
Rear Sight A2 Windage Screw	4.00
Rear Sight A2 Assy.	45.00
Repair Parts, M-16A1 (4 parts)	125.00
Repair Parts, M-16A2 (11 parts)	160.00
Safety Selector, AR-15	20.00
Safety Selector, M-16	40.00
Safety Detent	1.00
Safety Detent Spring	1.00
Scope, 4x20 (Colt Factory)	349.00
Sear Pin, Automatic	3.00
Sear Spring, Automatic	2.00
Sear, Automatic	20.00
Slip Ring, A1	12.00
Swivel Pin	1.00
Swivel, Front	4.00
Swivel, Rear	4.00
Takedown Detent Spring	1.00
Takedown Pin Detent	1.00
Takedown Pin, Rear	5.00
Three Round Burst Cam	10.00
Three Round Burst Cam Spring	5.00
Three Round Burst Disconnecter Spring	1.00
Three Round Burst Disconnecter Spring (Heavy)	2.00
Three Round Burst Disconnecter, Left	10.00
Three Round Burst Disconnecter, Right	12.00
Three Round Burst Hammer	40.00
Three Round Burst Hammer Spring	5.00
Three Round Burst Trigger	40.00
Trigger Guard Roll Pin	1.00
Trigger Guard, Aluminum	10.00
Trigger Pin	2.00
Trigger Pin, Oversize, Match	3.00
Trigger Spring	2.00
Trigger, AR-15	40.00
Trigger, M-16	40.00
Trigger, Sporter/Match Target	35.00
Upper Receiver, AR-15 Stripped	95.00
Upper Receiver, AR-15A2 (Transitional)	175.00
Upper Receiver, AR-15A2	195.00
Upper Receiver, AR-15A3/M4A1 (flat top)	175.00
Upper Receiver, Competition Rifle (flat top)	175.00
Upper Receiver, M-16	95.00
Upper Receiver, M-16A1	125.00
Upper Receiver, M-16A2	150.00
Weld Spring	4.00

## COLT FACTORY BARRELS

Barrel assemblies: include barrel, extension, nut, handguard cap, sight base, sight, and flash suppressor or compensator.

Material: Chromoly (Chromium - Molybdenum 4140) - CM  
Stainless steel (high Chromium 416) - SS

Contour: Weight & outer profile

Twist Rate: Number of inches required for bullet to complete one revolution.

Bore: Button-cut, 6 groove, right hand twist rifling.

Finish: Phosphate (parkerized) corrosion resistant: Chromoly is charcoal gray.

### Colt Barrels - 5.56mm/.223 (REM)

C/P - Chrome plated bore

N/P - Non-plated bore

LENGTH IN INCHES	MATERIAL	CONTOUR	BORE	TWIST	SIGHT RADIUS	PRICE
10	CM	LT	C/P	1/7	14.5	\$250.00
10	CM	HBAR	C/P	1/9	14.5	\$275.00
11.5	CM	LT	C/P	1/7	14.5	\$250.00
11.5	CM	HBAR	C/P	1/9	14.5	\$275.00
14.5	CM	LT	C/P	1/7	14.5	\$250.00
14.5	CM	HBAR	C/P	1/9	14.5	\$275.00
14.5	CM	M4	C/P	1/7	14.5	\$395.00
16	CM	LT	C/P	1/7	14.5	\$250.00
16	CM	LT	C/P	1/12	14.5	\$295.00
16	CM	HBAR	C/P	1/9	14.5	\$250.00
16 1/4	CM	A2	C/P	1/7	19.75	\$195.00
16 1/4	CM	HBAR	C/P	1/7	19.75	\$250.00
16 1/2	CM	HBAR	N/P	1/9	19.75	\$250.00
20	CM	A2	C/P	1/7	19.75	\$195.00
20	CM	HBAR	C/P	1/7	19.75	\$225.00
20	CM	HBAR	N/P	1/9	19.75	\$250.00
24	SS	HBAR	N/P	1/9	N/A	POR

### COLT 9MM CARBINE & 9MM SMG PARTS

Bolt Group, Complete	195.00
Bolt Catch	35.00
Buffer, SMG	75.00
Buttstock Assy.	225.00
Extractor	35.00
Firing Pin	15.00
Firing Pin Spring	3.00
Flash Suppressor	15.00
Hammer, Carbine	45.00
Magazine Assy., 32rd, Pre-ban	69.00
Magazine Assy., 32rd, L/E only	35.00
Magazine Assy., 20rd, Pre-ban	50.00
Magazine Assy., 20rd, L/E only	35.00
Upper Receiver, Complete	140.00

**LOWER RECEIVERS**  
(FFL REQUIRED)

Colt Match Target	195.00
Colt Match Target w/internals	295.00
Eagle M15A2	175.00
Eagle M15A2 w/internals	250.00
ArmaLite M15A2	195.00
ArmaLite M15A2 w/internals	269.00
Colt AR-15 (L/E only)	175.00
Colt AR-15 (L/E only) w/internals	275.00
Colt AR-15A2 (L/E only)	175.00
Colt AR-15A2 (L/E only) w/internals	275.00
Colt AR-15A3 (L/E only)	175.00
Colt AR-15A3 (L/E only) w/internals	275.00
Colt AR-15 9mm (L/E only)	195.00
Colt AR-15 9mm (L/E only) w/internals	329.00

**ACCESSORIES**

U.S. Military Armorer's Manual (M16A2)	10.00
U.S. Military Operator's Manual (M16A2)	5.00
Vietnam Era Comic Book Manual (M16A1)	3.00
Colt Match Target/Sporter Manual	4.00
AccuWedge	6.00
AimPoint Comp M	369.00
Barrel Wrench, GI (3 prong)	15.00
Bi-pod, Harris Eng., non-swiveling	59.00
Bi-pod, Harris Eng., swiveling	79.00
Buttstock Pad, CAR-15	11.00
Cleaning Kit w/pouch, U.S. GI	18.00
Cleaning Kit w/pouch, Colt Buttstock style	10.00
Lubricant, CLP, 1oz	1.00
Lubricant, CLP, 8oz	7.00
Magazine, Assy., 5rd, Colt, Pre-ban	25.00
Magazine, Assy., 8rd, Colt, Post-ban	10.00
Magazine, Assy., 20rd, Colt, Pre-ban	25.00
Magazine, Assy. 30rd, Colt, Pre-ban	39.00
Magazine, Assy. 20rd, Colt, L/E only	18.00
Magazine, Assy. 30rd, Colt, L/E only	18.00
Magazine Assy., 30rd, Canadian	15.00
Magazine Assy., 30rd, GI	15.00
Magazine Assy., 30rd, GI Upgraded	18.00
Magazine Assy., 30rd, Israeli, Para	12.00
Magazine Assy., 30rd, OKAY	15.00
Magazine Follower, Improved, U.S. Military	2.50
Magazine Spring, Extended Life 30rd	4.00
Magazine Spring, Extended Life 30rd(4 pack)	12.00

Magazine Spring, Standard 30rd	2.00
Muzzle Cap, Colt	1.00
Sight Tool, A1	7.00
Sight Tool, A2	7.00
Sling, U.S. GI	7.00
Sling, Colt	10.00
Sling, Colt Tactical	50.00
Sling, Giles Tactical, Fixed Stock A2	49.00
Sling, Giles Tactical, Collapsible Stock	35.00
Sling Mount, CAR Ambi. Rear Side Mount	39.00
Sling Mount, Colt (Side Attach.) Front M4	49.00
Wrench, Spanner, CAR	5.00
Wrench, Colt M4, CAR	25.00

#### OPTICAL MOUNTING HARDWARE

Scope Mount, ARMS Carry Handle	59.00
Scope Mount, ARMS 1 (HK, MP5, G3)	175.00
Scope Mount, ARMS 3 (FAL, Rifle)	139.00
Scope Mount, ARMS 4 (FAL, Para)	149.00
Scope Mount, ARMS 5 Multi-base	89.00
Scope Mount, ARMS 19 (Throw Lever)	159.00
Scope Mount, ARMS 19 ACOG	159.00
Scope Mount, ARMS 20 (AN-PVS4)	189.00
Scope Mount, GGG Carry Handle, MIL-1913	59.00
Scope Mount, GGG Multi-base, MIL-1913 Rail	75.00
Scope Mount, GGG (M14/M21 - Steel)	199.00
Scope Mount, IRS Standard w/Rear Sight	159.00
Scope Mount, IRS Extended w/Rear Sight	159.00
Scope Rings, Low Mount, 1in (Steel)	140.00
Scope Rings, Low Mount 30mm (Steel)	140.00
Scope Rings, High Mount 1in (Steel)	140.00
Scope Rings, High Mount 30mm (Steel)	140.00
Scope Rings, STANAG 30mm (Steel)	99.00
Scope Rings, Inserts 30mm to 1in (Steel)	45.00
Sight, Rear Aux. Flip-up (U.S. Navy)	
Single Ring System, GGG, AimPoint	150.00

#### EAGLE INDUSTRIES RIFLE CASES

RC-28AK	Colt SMG, HK-MP5SD3, HK-MP5A2, HK53A3	74.00
RC-36AK	Colt CAR-15 Fixed Stock, HK33K	74.00
RC-3223	Colt CAR-15/M4, HK53A2	74.00
RC-3408	FAL Para, HK-G3A4, HK-G3KA4	74.00
RC-4108	Colt M16A1/A2, FAL Bush Rifle, HK-G3A3	74.00
RC-4608	FAL Rifle	74.00

A huge assortment of Eagle Industries products available on request. Packs, pouches, holsters, cases, web-gear, shooting mats.

MILITARY GRADE PARTS  
AR-15/M-16

Barrel Nut	7.00
Bolt, Stripped	38.00
Bolt, Complete	49.00
Bolt, Complete, Hard Chrome	75.00
Bolt Carrier AR-15	59.00
Bolt Carrier AR-15, Hard Chrome	69.00
Bolt Carrier M-16	65.00
Bolt Carrier M-16, Hard Chrome	75.00
Bolt Group, Complete, AR-15	125.00
Bolt Group, Complete, AR-15, Hard Chrome	175.00
Bolt Group, Complete, M16	125.00
Bolt Group, Complete, M16, Hard Chrome	175.00
Bolt Group, Complete, National Match(H/C)	195.00
Bolt Carrier Key	11.00
Bolt Carrier Key, Hard Chrome	20.00
Bolt Carrier Key Screw	1.00
Bolt Catch	8.00
Bolt Catch Plunger	2.00
Bolt Catch Roll Pin	1.00
Bolt Catch Spring	1.00
Bolt Catch Assy., Complete	10.00
Bolt Gas Rings (3)	3.00
Buffer Retainer	2.00
Buffer Retainer Spring	1.00
Buffer Spring, CAR	6.00
Buffer Spring, Rifle, Standard	6.00
Buffer Tube, CAR	35.00
Buffer Tube, Rifle, Standard	22.00
Buffer, CAR	15.00
Buffer, Rifle, Standard	15.00
Buttstock, Complete Rifle	65.00
Buttstock Buttplate, Rifle Assy.	15.00
Buttstock Buttplate, Rifle	5.00
Buttstock Screw, (AR-15A1), Lower	3.00
Buttstock Screw, (AR-15A1), Upper	2.00
Buttstock Screw, (AR-15A2), Lower	2.00
Buttstock Screw, (AR-15A2), Upper	3.00
Buttstock Spacer, (AR-15A2)	4.00
Buttstock, Complete CAR (Alum.)	99.00
Buttstock, Complete CAR (Nylon)	69.00
Buttstock Plate, CAR	5.00
Buttstock Ring, CAR	5.00
Cam Pin	6.00
Cam Pin, Hard Chrome	10.00
Charging Handle, Complete, Alum., Black	22.00
Charging Handle, Complete, Alum., Gray	24.00

Delta Ring, Aluminum	8.00
Delta Snap Ring	3.00
Delta Weld Spring	4.00
Delta Ring Assy.	12.00
Disconnecter Spring, Early	1.00
Disconnecter Spring, Late	1.00
Disconnecter, AR-15	8.00
Disconnecter, M-16	15.00
Ejection Port Cover Pin w/C-clip	2.00
Ejection Port Cover Spring	1.00
Ejection Port Cover, A2 FN	8.00
Ejection Port Cover Assy., Complete	10.00
Ejector	2.00
Ejector Roll Pin	1.00
Ejector Spring	1.00
Extractor Pin	1.00
Extractor Spring, Heavy Duty	3.00
Extractor, Hard Chrome	20.00
Extractor, Machined	12.00
Firing Pin Retaining Pin	1.00
Firing Pin Retaining Pin, Hard Chrome	3.00
Firing Pin, AR-15	8.00
Firing Pin, AR-15, Titanium	25.00
Firing Pin, M-16	7.00
Flash Suppressor (M-16) 3 Prong	12.00
Flash Suppressor (M-16A1) Birdcage	8.00
Flash Suppressor (M-16A2) Mod. Birdcage	8.00
Flash Suppressor (XM-177) 5.5 in.	20.00
Flash Suppressor (XM-177) Compensator	45.00
Flash Suppressor Vortex	25.00
Flash Suppressor Lock Washer (M-16A1)	1.00
Flash Suppressor Peel Washer (M-16A2)	3.00
Forward Assist Retaining Pin	1.00
Forward Assist Spring	1.00
Forward Assist, Round, Complete	15.00
Forward Assist, Tear Drop, Complete	15.00
Front Sight Detent	2.00
Front Sight Detent Spring	1.00
Front Sight Post, Colored	3.00
Front Sight Post, Round (M-16A1)	4.00
Front Sight Post, Match .050in	12.00
Front Sight Post, Square (M-16A2)	6.00
Front Sight Taper Pin	1.00
Front/Rear Sight Tool (A1 or A2)	7.00
Gas System, La France	195.00
Gas Tube Roll Pin	1.00
Gas Tube, Rifle, GI	15.00
Gas Tube, CAR, GI	15.00
Hammer Pin	2.00
Hammer Spring	2.00

Hammer, AR-15	15.00
Hammer, AR-15, FN	20.00
Hammer, M-16A1, FN	30.00
Hammer, M-16A2, FN	30.00
Hand Guard, CAR w/Liners, GI	25.00
Hand Guard, CAR, Freefloating	50.00
Hand Guard, Standard, Freefloating	55.00
Hand Guard, Std., Floating for Harris bi-pod	65.00
Hand Guard, Standard, M-16A1, Triangular	POR
Hand Guard, Standard, M-16A2, FN	15.00
Hand Guard, Standard, M-16A1, GI	22.00
Lower Parts Set w/Pistol Grip, AR-15A2, HQ	85.00
Lower Parts Set w/Pistol Grip, M-16A1, HQ	105.00
Magazine Catch	5.00
Magazine Catch Button (Aluminum)	3.00
Magazine Catch Spring	1.00
Magazine Follower, Improved, U.S. Military	2.50
Magazine Spring, Extended Life 30rd	4.00
Magazine Spring, Extended Life 30rd(4 pack)	12.00
Magazine Spring, Standard 30rd	2.00
Offset Bushing	3.00
Offset Pin/Screw	5.00
Pistol Grip Screw, GI	2.00
Pistol Grip Screw Lock Washer	1.00
Pistol Grip, M-16A2, U.S. GI	8.00
Pivot Pin (Front Take Down Pin)	4.00
Pivot Pin Detent	1.00
Pivot Pin Detent Spring	1.00
Rear Sight A1 Adjustment Screw	5.00
Rear Sight A1 Aperture	9.00
Rear Sight A1 Detent	1.00
Rear Sight A1 Detent Spring	1.00
Rear Sight A1 Drum Roll Pin	1.00
Rear Sight A1 Flat Spring	1.00
Rear Sight A1 Windage Drum	4.00
Rear Sight A1 Assy., Complete	18.00
Rear Sight A1 Rapid Index Assy.	8.00
Rear Sight A2 Aperture	9.00
Rear Sight A2 Ball Bearing	1.00
Rear Sight A2 Ball Bearing Spring	1.00
Rear Sight A2 Base	15.00
Rear Sight A2 Base Pin	1.00
Rear Sight A2 Elevation Index	7.00
Rear Sight A2 Elevation Knob	7.00
Rear Sight A2 Elevation Spring	1.00
Rear Sight A2 Index Screw	2.00
Rear Sight A2 Leaf Spring	1.00
Rear Sight A2 Windage Knob	7.00
Rear Sight A2 Windage Knob Pin	1.00
Rear Sight A2 Windage Screw	3.00

Rear Sight A2 Assy., Complete	39.00
Repair Parts, (1) Field Kit	45.00
Repair Parts, (2) Spring Kit	12.00
Repair Parts, (3) Commonly Lost Kit	20.00
Repair Parts, M-16A1 (4 parts)	75.00
Repair Parts, M-16A2 (11 parts), FN	100.00
Safety Selector, AR-15	12.00
Safety Selector, M-16	20.00
Safety Detent	1.00
Safety Detent Spring	1.00
Sear Pin, Automatic	3.00
Sear Spring, Automatic	2.00
Sear, Automatic	20.00
Sling, GI, Cotton/Nylon	7.00
Slip Ring, A1	8.00
Swivel Pin	1.00
Swivel, Front	3.00
Swivel, Rear	4.00
Takedown Pin Detent	1.00
Takedown Pin Detent Spring	1.00
Takedown Pin, Rear	4.00
Three Round Burst Cam	10.00
Three Round Burst Cam Spring	5.00
Three Round Burst Disconnecter Spring	1.00
Three Round Burst Disconnecter Spring (Heavy)	2.00
Three Round Burst Disconnecter, Left	10.00
Three Round Burst Disconnecter, Right	12.00
Three Round Burst Hammer	30.00
Three Round Burst Hammer Spring	5.00
Three Round Burst Trigger	40.00
Trigger Guard Roll Pin	1.00
Trigger Guard, Aluminum	7.00
Trigger Pin	2.00
Trigger Spring	2.00
Trigger, AR-15	12.00
Trigger, M-16	25.00
Weld Spring	4.00

## BARRELS

Barrel assemblies: include barrel, extension, nut, handguard cap, sight base, sight, and flash suppressor or compensator.

Material: Chromoly (Chromium - Molybdenum 4140) - CM  
Stainless steel (high Chromium 416) - SS

Contour: Weight & outer profile

Twist Rate: Number of inches required for bullet to complete one revolution. 1/9 is standard for most of our barrels (optional twist rates 1/7, 1/8, 1/8.5, 1/10, 1/12, 1/14).

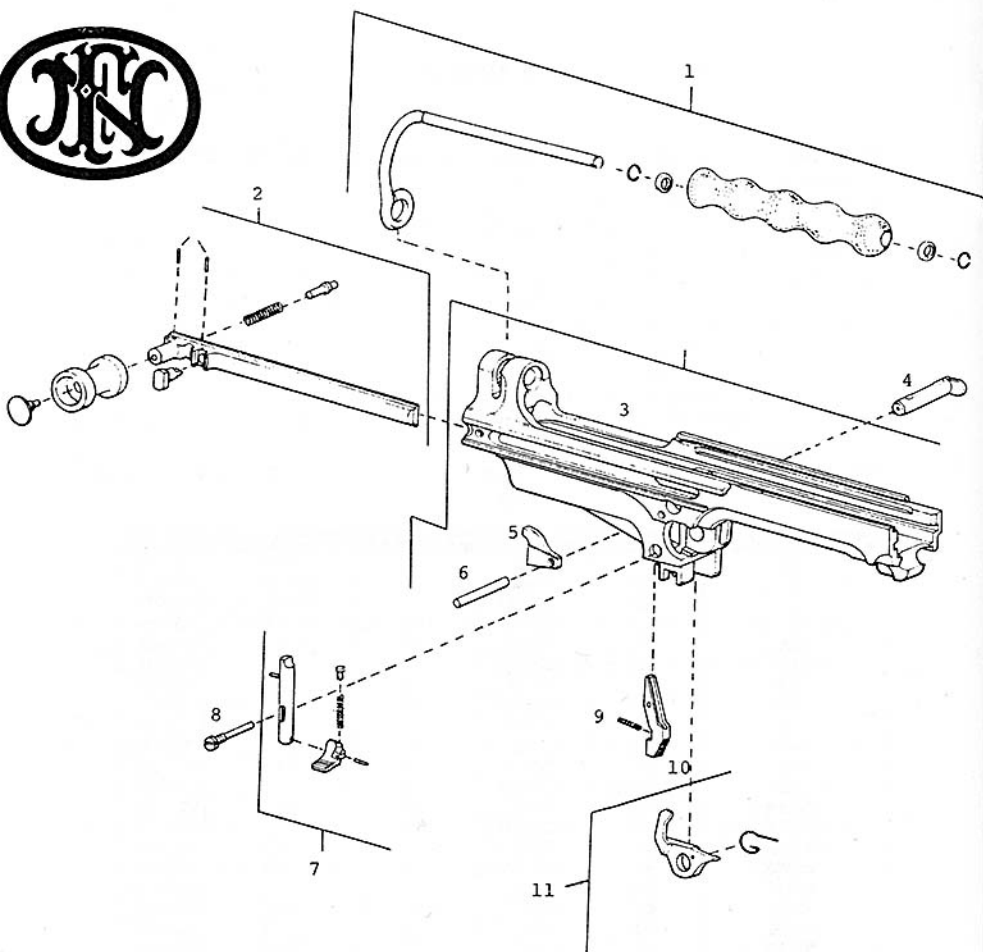
Fluting: (optional) provides three benefits

- (1) Decreases barrel weight
- (2) Increases rigidity
- (3) Increases surface area for improved cooling

Bore: Button-cut, 6 groove, right hand twist rifling; match-grade finish; non-plated; capable of at least minute of angle accuracy.

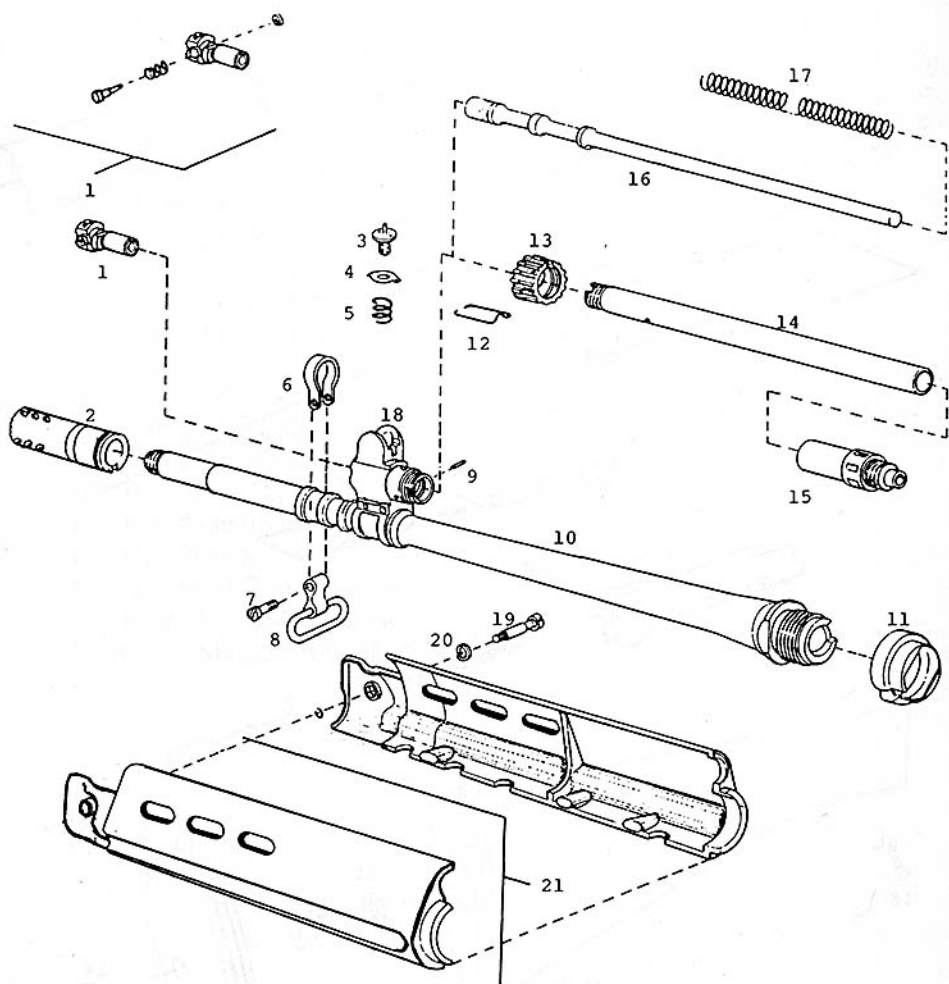
Finish: Phosphate (parkerized) corrosion resistant: Chromoly is charcoal gray, Stainless is light matte gray.

LENGTH IN INCHES	MATERIAL	CONTOUR	TWIST RATE	SIGHT RADIUS	PRICE
10	CM	HBAR	1/9	14.5	\$200.00
10	CM	FLUTED	1/9	14.5	\$295.00
10	SS	HBAR	1/9	14.5	\$220.00
10	SS	FLUTED	1/9	14.5	\$295.00
11.5	CM	HBAR	1/9	14.5	\$200.00
11.5	CM	FLUTED	1/9	14.5	\$295.00
11.5	SS	HBAR	1/9	14.5	\$220.00
11.5	SS	FLUTED	1/9	14.5	\$295.00
14.5	CM	HBAR	1/9	14.5	\$200.00
14.5	CM	FLUTED	1/9	14.5	\$295.00
14.5	SS	HBAR	1/9	14.5	\$220.00
14.5	SS	FLUTED	1/9	14.5	\$295.00
11.5/5.5	CM	HBAR	1/9	14.5	\$225.00
11.5/5.5	CM	FLUTED	1/9	14.5	\$295.00
11.5/5.5	SS	HBAR	1/9	14.5	\$225.00
11.5/5.5	SS	FLUTED	1/9	14.5	\$295.00
16 HK	CM	HBAR	1/9	14.5	\$245.00
16 HK	CM	FLUTED	1/9	14.5	\$300.00
16 HK	SS	HBAR	1/9	14.5	\$245.00
16 HK	SS	FLUTED	1/9	14.5	\$300.00
16	CM	HBAR	1/9	14.5	\$195.00
16	CM	FLUTED	1/9	14.5	\$265.00
16	SS	HBAR	1/9	14.5	\$195.00
16	SS	FLUTED	1/9	14.5	\$275.00
16 3/4	CM	HBAR	1/9	19.75	\$200.00
16 3/4	CM	FLUTED	1/9	19.75	\$275.00
16 3/4	SS	HBAR	1/9	19.75	\$220.00
16 3/4	SS	FLUTED	1/9	19.75	\$295.00
20	CM	HBAR	1/9	19.75	\$200.00
20	CM	FLUTED	1/9	19.75	\$275.00
20	SS	HBAR	1/9	19.75	\$220.00
20	SS	FLUTED	1/9	19.75	\$295.00



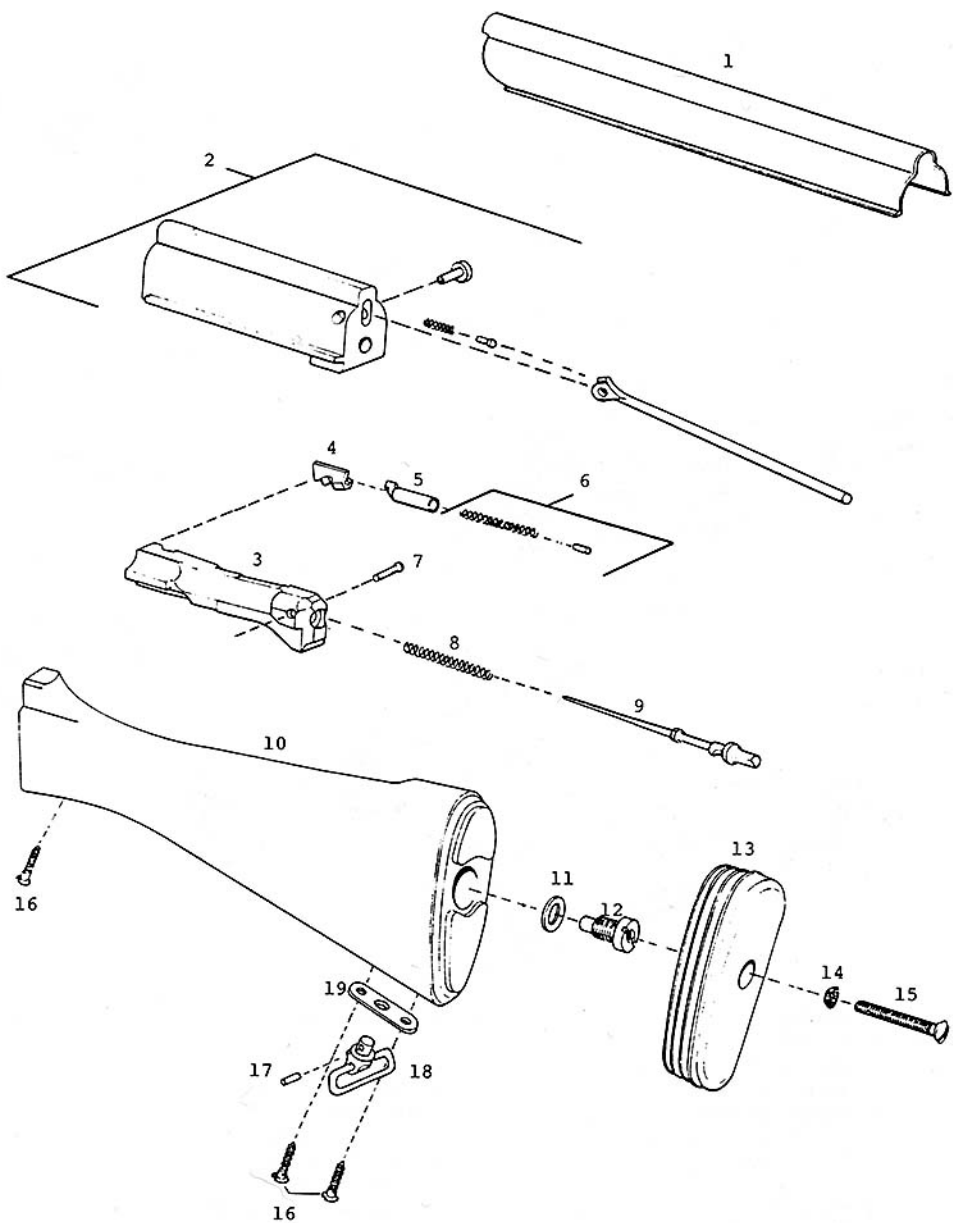
1. Carry Handle Assy
- 1A. Para Insert (Replaces Handle)
2. Cocking Handle Assy
3. Receiver
4. Locking Shoulder
5. Ejector

6. Ejector Block Pin (2)
7. Bolt Catch Assy
8. Mag/Bolt Catch Axis Pin
9. Mag Catch Spring
10. Mag Catch
11. Safety Sear (Select-fire only)

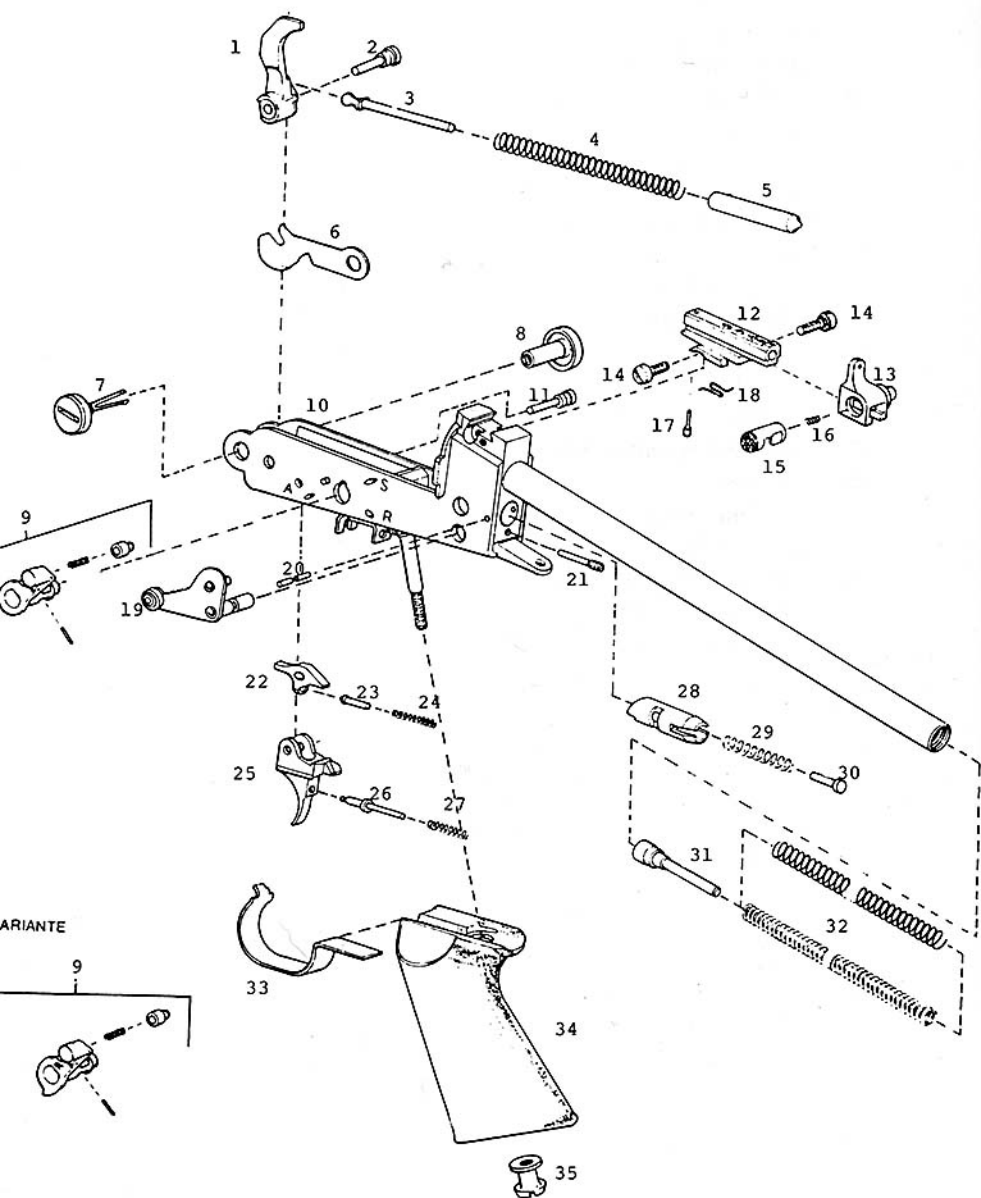


1. Gas Plug Assy
2. Flash Hider
3. Front Sight Post
4. Front Sight Plate
5. Front Sight Spring
6. Sling Swivel Band
7. Sling Swivel Screw
8. Sling Swivel
9. Gas Cylinder Pin
10. Barrel Assy
11. Hand Guard Retainer

12. Gas Regulator Spring
13. Gas Regulator
14. Gas Cylinder
15. Carry Handle Retainer
16. Gas Piston
17. Gas Piston Spring
18. Front Sight Block
19. Hand Guard Screw
20. Hand Guard Lock Washer
21. Hand Guard Assy (Set)



1. Top Cover
- 1A. Top Cover (Para)
- 1B. Top Cover (Scope Mount)
2. Bolt Carry Assy
3. Bolt (Breech Block)
4. Extractor
5. Extractor Plunger
6. Extractor Spring
7. Firing Pin Retainer
8. Firing Pin Spring
9. Firing Pin
10. Butt Stock
11. Butt Stock Washer
12. Butt Stock Retainer Screw
13. Butt Plate
14. Butt Plate Insert
15. Butt Plate Screw
16. Butt Stock Forward Screw  
Rear Sling Swivel Screw
- 17-19 Rear Sling Swivel (360°) Belgian



1. Hammer
2. Hammer Axis Pin
3. Hammer Plunger
4. Hammer Spring
5. Hammer Spring Housing
6. Locking Plate
7. Pivot Pin
8. Pivot Pin
9. Selector
10. Trigger Housing
11. Trigger Axis Pin
12. Rear Sight Base
13. Rear Sight Aperture
14. Rear Sight Screw
15. Rear Sight Button
16. Rear Sight
17. Rear Sight Stop
18. Rear Sight Base Spring
19. Locking Catch Lever
20. Locking Catch Retainer
21. Locking Catch Lever Screw
22. Sear
23. Sear Spring Plunger
24. Sear Spring
25. Trigger
26. Trigger Plunger
27. Trigger Plunger Spring
28. Locking Catch
29. Locking Catch Spring
30. Locking Catch Plunger
31. Recoil Spring Plunger
32. Recoil Spring Assy
33. Trigger Guard
34. Pistol Grip
35. Pistol Grip Nut

### FAL/LIAI PARTS

	METRIC	INCH
Barrel Assy 16"	175.00	175.00
Barrel Assy 18"	175.00	175.00
Barrel Assy 21"	150.00	150.00
Barrel Assy Special	POR	POR
Barrel Gas Block	55.00	45.00
Bipod (German) Assy	95.00	N/A
Bolt (Breech Block)	35.00	35.00
Bolt Assy Complete	49.00	49.00
Bolt Carrier Assy	65.00	65.00
Bolt Carrier Para	120.00	N/A
Bolt Catch Assy	15.00	25.00
Buttplate	15.00	40.00
Buttplate Insert	3.00	15.00
Buttplate Screw	5.00	5.00
Buttstock	75.00	75.00
Buttstock Forward Screw	3.00	3.00
Buttstock Retainer Screw	12.00	12.00
Buttstock Washer	3.00	3.00
Carry Handle	20.00	25.00
Carry Handle Retainer	8.00	8.00
Cocking Handle Assy	35.00	45.00
Ejector Block	15.00	10.00
Ejector Block Pin (Bottom)	3.00	3.00
Ejector Block Pin (Top)	3.00	3.00
Extractor	15.00	15.00
Extractor Plunger	7.00	7.00
Extractor Spring	3.00	3.00
Firing Pin	10.00	12.00
Firing Pin Retainer	3.00	3.00
Firing Pin Spring	3.00	3.00
Flash Hider - Standard	45.00	35.00
Flash Hider - HK Type (US)	35.00	35.00
Flash Hider - Long (US)	35.00	35.00
Flash Hider - StG 58	20.00	N/A
Front Sight Plate	5.00	N/A
Front Sight Post	20.00	12.00
Front Sight Post Screw	N/A	9.00
Front Sight Spring	3.00	N/A
Gas Cylinder	15.00	15.00
Gas Cylinder Pin	1.00	1.00
Gas Piston	20.00	20.00
Gas Piston Spring	4.00	4.00
Gas Plug Assy	20.00	20.00
Gas Regulator	15.00	15.00
Gas Regulator Retainer	N/A	4.00
Gas Regulator Spring	5.00	5.00
Hammer	15.00	15.00

	METRIC	INCH
Hammer Axis Pin	5.00	5.00
Hammer Plunger	7.00	N/A
Hammer Plunger Assy	N/A	15.00
Hammer Spring	3.00	N/A
Hammer Spring Housing	5.00	N/A
Handguard Assy (Set)	95.00	75.00
Handguard Lock Washer	1.00	N/A
Handguard Retainer	9.00	9.00
Handguard Screw	4.00	5.00
Locking Catch	8.00	8.00
Locking Catch Lever	12.00	10.00
Locking Catch Lever Screw	5.00	5.00
Locking Catch Plunger	4.00	4.00
Locking Catch Retainer Pin	3.00	2.00
Locking Catch Spring	3.00	3.00
Locking Plate	7.00	N/A
Locking Shoulder	15.00	15.00
Magazine 20rd - FAL Belgian	30.00	N/A
Magazine 20rd - FAL Israeli	10.00	N/A
Magazine 20rd - FAL StG58	15.00	N/A
Magazine 20rd - L1A1	N/A	25.00
Magazine 30rd - L4A1	N/A	95.00
Magazine Catch	8.00	12.00
Magazine Catch Spring	2.00	2.00
Magazine/Bolt Catch Axis Pin	5.00	5.00
Pistol Grip	20.00	35.00
Pistol Grip Nut	8.00	N/A
Pistol Grip Screw	N/A	3.00
Pivot Pin Assy	20.00	20.00
Rear Sight Aperture	15.00	20.00
Rear Sight Assy	40.00	40.00
Rear Sight Assy (Para)	45.00	N/A
Rear Sight Base	12.00	12.00
Rear Sight Base Spring	5.00	5.00
Rear Sight Bearing	N/A	1.00
Rear Sight Bearing Spring	N/A	1.00
Rear Sight Button	7.00	N/A
Rear Sight Button Spring	1.00	N/A
Rear Sight Screw (2)	4.00	4.00
Rear Sight Stop	4.00	4.00
Receiver Imbel (Post-Ban)	295.00	N/A
Receiver SW Mfg. Grp. (Pre-Ban)	899.00	899.00
Recoil Spring Assy (2)	15.00	15.00
Recoil Spring Plunger	5.00	5.00
Safety Sear Assy	10.00	10.00
Sear	10.00	10.00
Sear Spring	3.00	3.00
Sear Spring Plunger	5.00	N/A
Sear Spring Retainer	N/A	4.00

	<b>METRIC</b>	<b>INCH</b>
Selector Assy Auto	20.00	N/A
Selector Assy Semi	35.00	45.00
Sling Swivel Assy, Front	25.00	25.00
Sling Swivel Assy, Rear	35.00	15.00
Sling Swivel Screw (2), Rear	3.00	N/A
Top Cover	20.00	20.00
Top Cover Para	75.00	N/A
Trigger	15.00	15.00
Trigger Axis Pin	5.00	5.00
Trigger Guard	10.00	10.00
Trigger Housing (Rifle)	35.00	35.00
Trigger Plunger	5.00	5.00
Trigger Plunger Spring	3.00	3.00
Para Kit (R1) - U.S. Made	395.00	N/A
Parts Set StG58 (Excellent)	195.00	N/A

#### **SHOP SERVICES**

Barrel & Headspace	95.00
Custom Fitting Entire Rifle	100.00
Cut and Thread Barrel	50.00
Refinish Entire Rifle	
Gray/Black Phosphate Finish	
Disassembled	150.00
Assembled/Reassemble	225.00
Other Services Available Upon Request	



**U.S. CARBINE, CAL. .30  
M1/M2**

Barrel, GI	75.00
Barrel, GI Chrome	95.00
Barrel Band Spring	5.00
Barrel Band, Type 1	40.00
Barrel Band, Type 2	35.00
Barrel Band, Type 3, w/Bayonet Lug	15.00
Bolt Tool	20.00
Bolt, Complete	49.00
Bolt, Flat	35.00
Bolt, Round	39.00
Buttplate	5.00
Disconnecter Plunger	2.00
Disconnecter Plunger Spring	2.00
Disconnecter, GI	25.00
Ejector	3.00
Ejector Spring	2.00
Extractor Plunger	2.00
Extractor Spring	2.00
Extractor, GI	8.00
Firing Pin, GI	8.00
Front Sight	8.00
Front Sight Key	2.00
Front Sight Pin	2.00
Gas Piston	7.00
Gas Piston Nut	4.00
Gas Piston Nut Wrench, New Type	12.00
Gas Piston Nut Wrench, Old Type	10.00
Hammer Pin	1.00
Hammer Spring	3.00
Hammer Spring Guide	4.00
Hammer, M1, GI	12.00
Hammer, M2, GI	25.00
Magazine Catch Plunger	2.00
Magazine Catch Spring	1.00

Magazine Catch, M1, GI - Type 1	POR
Magazine Catch, M1, GI - Type 2	POR
Magazine Catch, M1, GI - Type 3	15.00
Magazine Catch, M1, GI - Type 4	7.00
Magazine Catch, M2, GI - Type 5	10.00
Oiler	3.00
Rear Sight, Type 1	40.00
Rear Sight, Type 2 (Adjustable, Stamped)	15.00
Rear Sight, Type 3 (Adjustable, Milled)	15.00
Rear Sight, Type 1, Leaf Spring	2.00
Recoil Plate	8.00
Recoil Plate Nut	3.00
Recoil Plate Screw	3.00
Recoil Spring Guide	6.00
Recoil Spring, GI	3.00
Recoil Spring, M2	5.00
Safety Plunger	3.00
Safety, Type 1, Checkered	15.00
Safety, Type 2, Smooth	20.00
Safety, Type 3, Smooth (Some Marked)	20.00
Safety, Type 4, Rotary	8.00
Sear Spring	2.00
Sear, M1, GI	8.00
Sear, M2, GI	10.00
Selector Spring	3.00
Selector, M2	25.00
Slide Stop	3.00
Slide Stop Spring	2.00
Slide, M1, GI	45.00
Slide, M2, GI	65.00
Sling	7.00
Trigger Housing Pin	2.00
Trigger Housing, M1, GI	40.00
Trigger Housing, M2, GI	65.00
Trigger Spring	3.00
Trigger, GI	10.00
Wrench, Gas Piston Nut	10.00
U.S. Carbine, M1, Used - Various Mfr.	399.00
U.S. Carbine, M1, Refurbished	599.00

#### SHOP SERVICES

Barrel - Rebarrel	50.00
Parkerize Entire Carbine	
Disassembled	75.00
Assembled/Reassembled	95.00
Parkerize/Black Oxide	
Disassembled	120.00
Assembled/Reassembled	140.00