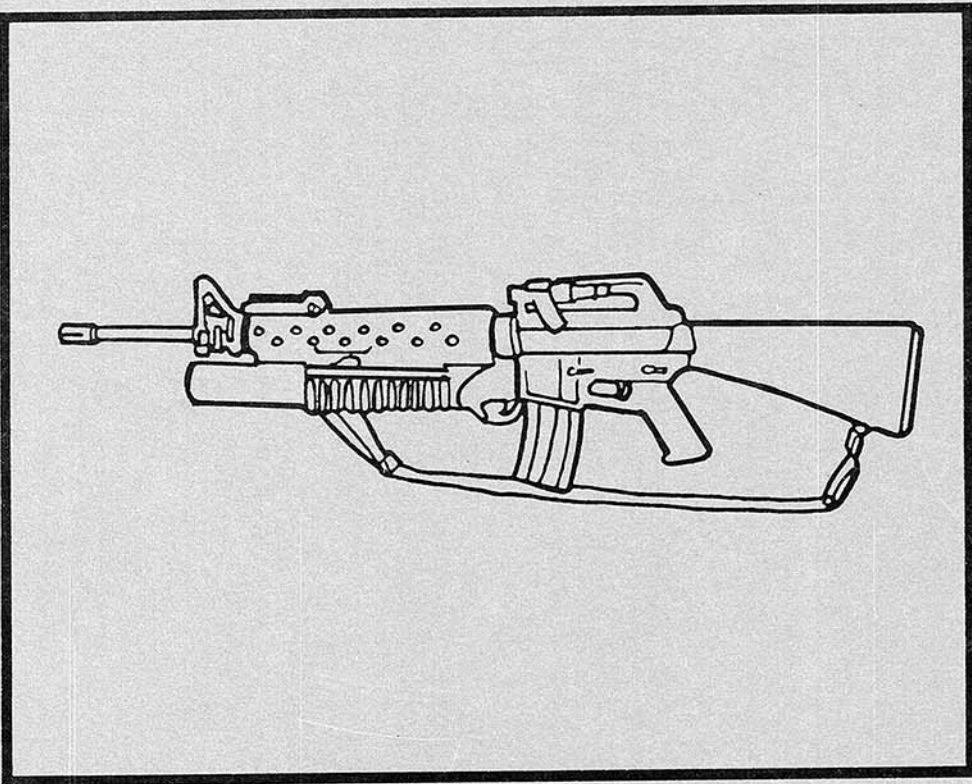


# PREPARATION OF THE M203 GRENADE LAUNCHER

TEC LESSON NO. 551-101-8358-A



PRODUCED BY  
US ARMY QUARTERMASTER  
SCHOOL  
FORT LEE, VIRGINIA



January 1982

Student/Supervisor Instructions and Pretest/Posttest are  
contained within this  
Lesson

Digitized by:

READ THE STUDENT/SUPERVISOR INSTRUCTIONS CAREFULLY.  
BE SURE YOU UNDERSTAND THEM BEFORE CONTINUING THE LESSON.

When used in this publication, "he," "him," "his,"  
and "men" represent both the masculine and feminine  
genders unless otherwise stated.

## STUDENT/SUPERVISOR INSTRUCTIONS

### AUDIENCE

- MOS 76Y
- Skill levels 1 and 2

### TRAINING OBJECTIVE

Given the equipment and materials required, the soldier will be able to:

- Clear the M203 grenade launcher.
- Test the mechanical safety on the M203 grenade launcher.

### MATERIAL/EQUIPMENT/PERSONNEL REQUIRED TO COMPLETE THIS LESSON

- Pen or pencil
- Lesson booklet
- M16A1 rifle with M203 grenade launcher attached

### TIME REQUIRED

- Soldier must complete the task within 1 minute.

### REFERENCES

- TM 9-1010-221-24

### STUDENT INSTRUCTIONS

- Before taking this lesson, complete TEC Lessons No. 551-101-8351-A through 551-101-8356-A on the M16A1 rifle.
- Take the pretest. If you pass the pretest, you need not take this lesson.
- Insure that you have all material, equipment, or personnel required to complete this lesson.

- Read this lesson. Practice each step in the lesson until you can do it without looking at the book.
- Take the posttest. If you do not pass, read the lesson again and repeat the test.
- It is very important that you read every step in this lesson. Do not skip around and do the steps out of order. You could hurt yourself or harm the equipment. Do not do anything that is not explained in the lesson booklet, and observe all safety warnings. Safety warnings are printed in red. These are cautions or warnings you must observe so that you do not injure yourself or harm the equipment.
- Keep track of all dummy rounds. Keep them locked in your tool kit or some other location separate from live ammunition.
- Always clear any weapon before you work on it.
- Read all CAUTIONS printed in red BEFORE doing the next step.
- Be extra careful when working with springs that can fly out. Wear safety goggles.
- Do not write on this lesson booklet.

#### SUPERVISOR INSTRUCTIONS

- Insure that the student has completed the prerequisites listed above.
- Insure that the student has all material, equipment, or personnel required to complete this lesson.
- This lesson is self-teaching and self-paced. The soldier will learn the task by reading and doing the steps in the lesson. He can use as much time as needed, within reasonable limits, to learn the task.
- As a supervisor, you should be familiar with the lesson material so you can answer questions, score tests, and insure that all safety precautions and warnings are followed.

- Although this is a self-teaching program, it may be necessary for you to assist the soldier if he has difficulties. Everything the soldier needs to know to pass the test is in this booklet. When a soldier does not understand a step, it is usually because he is going too fast and skips a step. Reading the section again will often solve the problem. Occasionally, a soldier will not understand the whole lesson. If you are familiar with the weapon, you may explain the steps; or, if you will read the lesson yourself, you should be able to explain it to the soldier. If the weapon becomes jammed or is disassembled beyond organizational level, and neither you nor the soldier can remedy the problem, take it to direct support maintenance for repair.
- Allow the student to read the lesson and practice the task before testing.
- Follow set-up and scoring instructions for the test.
- Do not aid the soldier in taking the test.
- Observe the soldier's performance in the pretest/posttest.
- Score each performance measures as GO/NO GO.
- Be sure the soldier completes the task within the required time limit.

## PRETEST/POSTTEST

Type of Lesson: Quartermaster

TEC Lesson No.  
551-101-8358-A

### Preparation of the M203 Grenade Launcher

#### General Information

This pretest/posttest covers two basic actions: clearing the M203 grenade launcher and testing the mechanical safety on the M203 grenade launcher. In order to pass the test, the soldier must receive a GO on all performance measures and must complete the task within 1 minute. If he fails the test, the lesson must be repeated and the test retaken. The following items must be available for the soldier's use during the test:

M16A1 rifle with M203 grenade launcher attached

The scorer must have a watch, a pen or pencil, paper, and the list of performance measures.

#### Test Instructions:

Your task is to clear the M203 grenade launcher and test the mechanical safety on the M203 grenade launcher. All the tools, parts, materials, supplies, and forms you need are also on the table. You will have 1 minute to complete the test.

---

#### NOTE TO SUPERVISOR/SCORER:

Please review the supervisor instructions at the beginning of this lesson and the information printed above. Be sure that all of the items listed above are available for use during the test. Read aloud the test instructions to the soldier, and begin timing his performance. Do not let the soldier continue past the time limit. On a separate sheet of paper, write GO or NO GO for each of the performance measures listed on the next page.

---

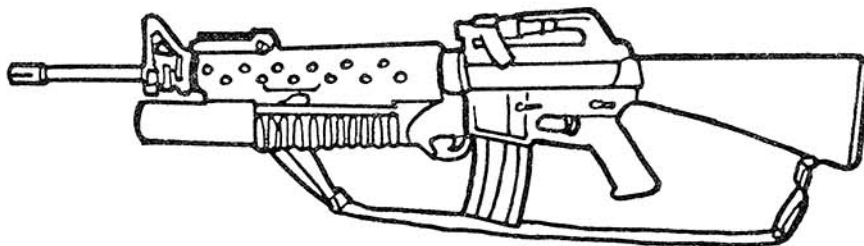
DO NOT WRITE ON THIS TEST.

Performance Measures:

GO                      NO GO

- |  |       |       |
|--|-------|-------|
| 1. The soldier clears the weapon.  |       |       |
| a. The soldier clears the M16A1 rifle.   | _____ | _____ |
| b. The soldier presses the barrel latch assembly forward as far as it will go.   | _____ | _____ |
| c. The soldier looks inside the barrel to make sure it is clear of ammunition.   | _____ | _____ |
| d. The soldier pulls the barrel all the way back until it snaps into place.  | _____ | _____ |
| 2. The soldier tests the mechanical safety on the M203 grenade launcher.   |       |       |
| a. The soldier presses the barrel latch, slides the barrel assembly all the way forward, and then pulls the barrel back until it snaps into place.               | _____ | _____ |
| b. The soldier turns the launcher over and pushes the safety lock down to the safe position. The soldier squeezes the trigger to see if firing pin will release. | _____ | _____ |
| c. The soldier pushes the safety lock up to fire position and squeezes the trigger. Firing pin clicks as it releases.  | _____ | _____ |
| 3. The soldier completes the test within 1 minute.   | _____ | _____ |

## PREPARATION OF THE M203 GRENADE LAUNCHER



The M16A1 Rifle with M203 Grenade Launcher Attached

### INTRODUCTION:

This is TEC Lesson No. 551-101-8358-A, "Preparation of the M203 Grenade Launcher." This lesson will show you how to clear the M203 grenade launcher and how to test the mechanical safety on the M203 grenade launcher. By clearing the grenade launcher, we mean making sure there is no ammunition in the weapon. Always remember to CLEAR THE RIFLE first. Whenever you pick up a rifle, CLEAR IT. When you are finished working with it, CLEAR IT.

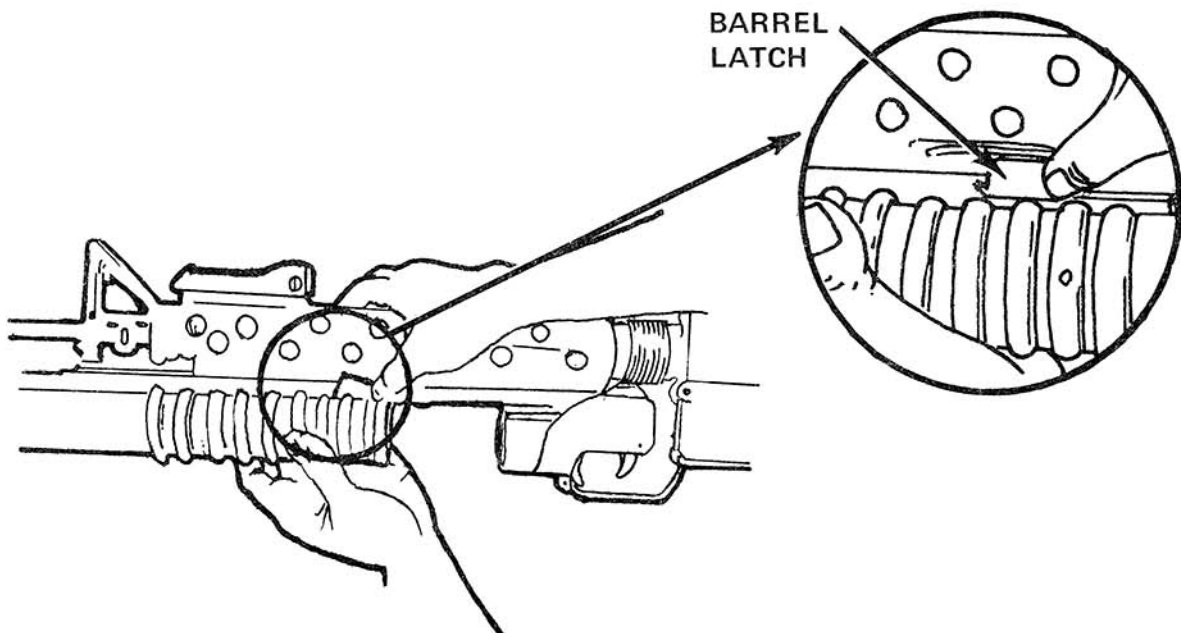
### EQUIPMENT/MATERIALS REQUIRED:

Items listed in Student/Supervisor Instructions on page i.

## HOW TO CLEAR THE M203 GRENADE LAUNCHER

STEP 1: Clear the M16 rifle.

STEP 2: Press the barrel latch and slide the barrel assembly forward as far as it will go. You will hear a click.



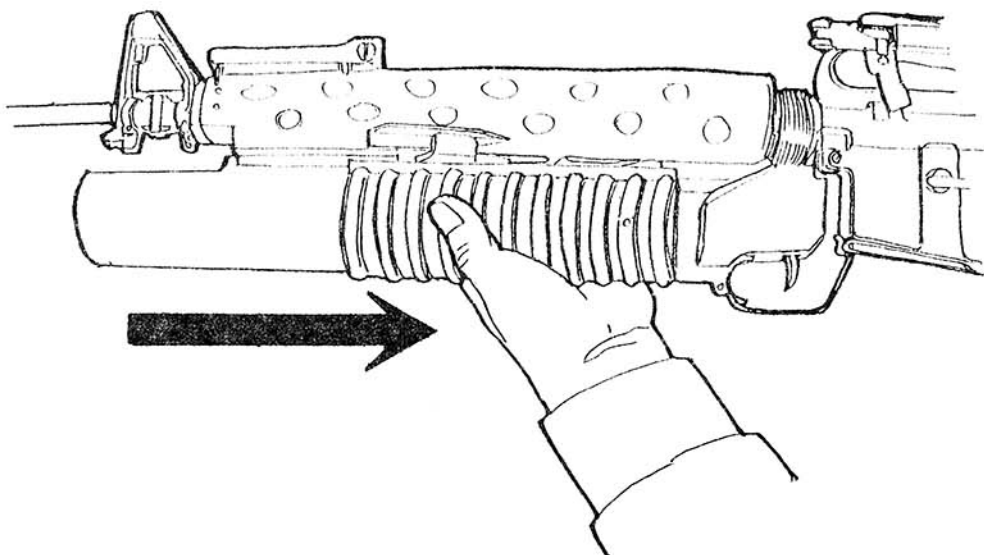
STEP 3: Look inside the barrel to be sure it is clear of any ammunition.



CAUTION:

IF YOU FIND A LIVE ROUND, TAKE IT OUT AND DISPOSE OF IT BY UNIT SOP.

STEP 4: Pull the barrel all the way back. It will snap into place.



The weapon is clear and safe to work on. You should be able to clear the grenade launcher in less than 1/2 minute.

Practice the steps for clearing the grenade launcher until you can clear it without help from this lesson.

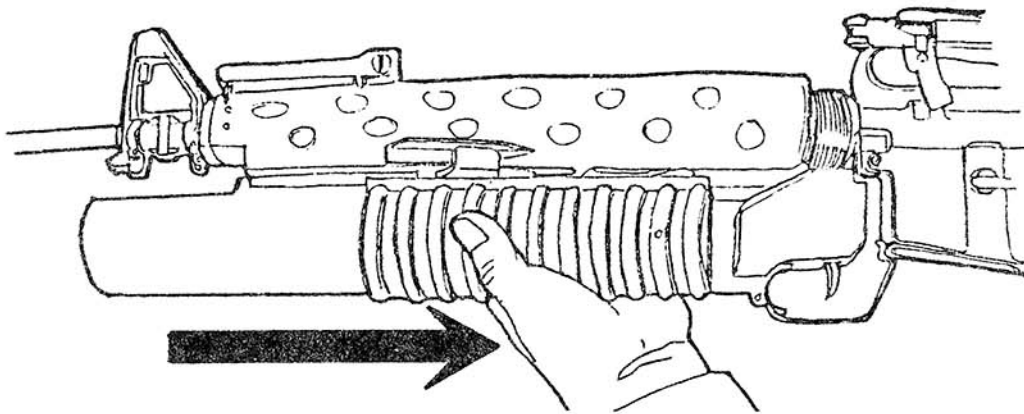
Remember, you must always clear a weapon before you start to work on it or handle it for any reason.

The next part of this lesson will teach you how to test the safety devices on the M203 grenade launcher.

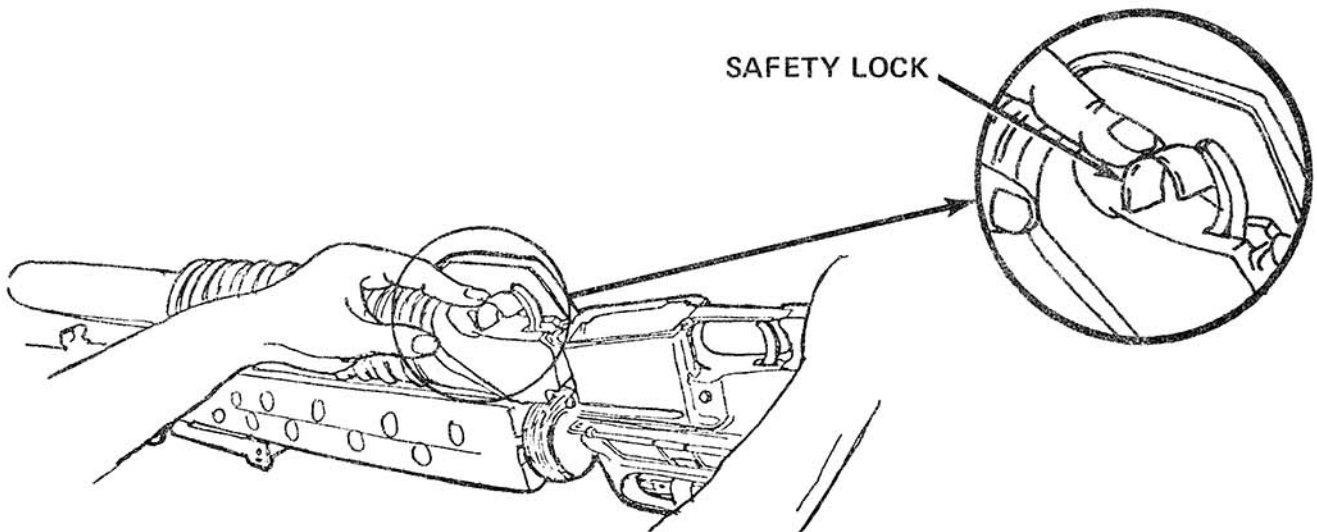
HOW TO TEST THE MECHANICAL SAFETY  
ON THE M203 GRENADE LAUNCHER

STEP 1: Press the barrel latch and slide barrel assembly all the way forward.

Pull barrel all the way back. It will snap into place.



STEP 2: Turn the launcher over. Push the safety lock down to the safe position.



STEP 3: Squeeze the trigger. The firing pin should not release. This means the safety works.

If the firing pin releases, your troubleshooting lesson will show you how to correct this malfunction.

STEP 4: Push the safety lock up to fire position and squeeze trigger. You will hear a click as the firing pin releases.

You should be able to test the mechanical safety on the M203 grenade launcher in less than 1/2 minute.

Practice the steps until you can clear the M203 and test the safety without looking at the lesson and within 1 minute:

1. Clear the M16A1 rifle.
2. Clear the M203 grenade launcher.
3. Test the mechanical safety on the M203 grenade launcher.

THEN ASK YOUR SUPERVISOR TO  
GIVE YOU THE POSTTEST.