

Document No. CAR-15 CMG-1 7/155 1982's table follows
Buy with order Newgate

CAR-15 and CMG-1 5.56 mm Military Weapons Systems

SPECIFICATIONS MANUAL



**Colt Industries Inc
Colt's Firearms Division**

Hartford 14, Connecticut, U.S.A.

COLT'S INC FIREARMS DIVISION
COLT AR-15 WEAPONS SYSTEMS

1. Weapon: AR-15 (XM16E1)

2. Description and Purpose:

Gas operated, air cooled, magazine fed semi-automatic and full automatic shoulder weapon. It feeds from a 20 or 30 round magazine, fires from a closed bolt and has as additional equipment a bayonet, bipod, and scope.

3. Characteristics:

- a. Caliber: 5.56 mm.
- b. Overall Length: 38.6"
- c. Width: See Attached Note
- d. Height (with 20 round magazine): 8.750"
- e. Height (with 30 round magazine): 9.875"
- f. Height (without magazines): 8.750"
- g. Length of barrel: 20"
- h. Rifling: Button
- i. Pitch: 1 in 12
- j. Number of grooves: 6
- k. Weight (without magazine): 6.5#
- l. Weight with bipod, without magazines: 7.0
- m. Weight of 20 round magazines - empty (aluminum): (3 oz.) .18#
- n. Weight of 20 round magazines - full (aluminum): (12 oz.) .75#
- o. Weight of 30 round magazines - empty (aluminum): .22#
- p. Weight of 30 round magazines - full (aluminum): .97#
- q. Operation: Gas
- r. Feed: Magazine
- s. Muzzle velocity: 3250 FT/SEC
- t. Rate of Fire: 750 R. P. M.
- u. Type of firing: Semi and Full Automatic
- v. Number of parts and assemblies:
- w. Muzzle energy: 1320 Ft./Lbs.
- x. Safety: Rotary-blocks trigger

4. Unique Features:

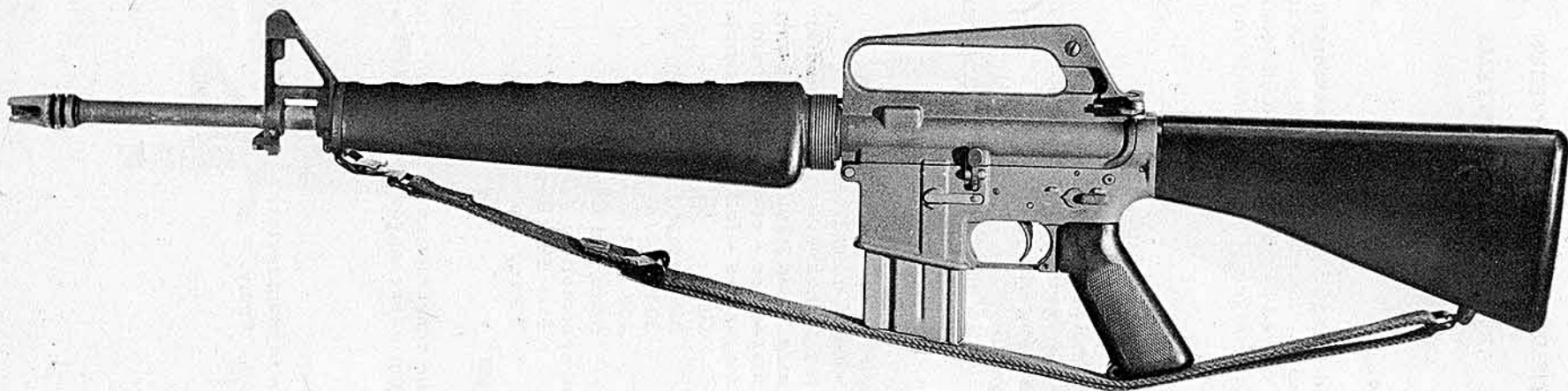
Gas system, straight line construction, light weight simplicity of maintenance.

5. Proprietary Status:

Colt's holds sole license to manufacture. Licensing proposal has been made to the U. S. Army.

6. Availability:

Immediate.



COLT'S INC FIREARMS DIVISION
COLT AR-15 WEAPONS SYSTEMS

1. Weapon: CAR-15 Carbine

2. Description and Purpose:

Gas operated, air cooled, magazine fed semi-automatic and full automatic shoulder weapon. It feeds from a 20 or 30 round magazine, fires from a closed bolt and has as additional equipment a bipod and scope. Designed for use by small unit leaders.

3. Characteristics

a. Caliber:	5.56 mm.		
b. Overall Length:	33.9 "		
c. Width:	1.4"		
d. Height (with 20 round magazine):		8.750"	
e. Height (with 30 round magazine):		9.875"	
f. Height (without magazines):		8.750"	
g. Length of barrel:	15"		
h. Rifling:	Button		
i. Pitch:	1 in 12		
j. Number of grooves:	6		
k. Weight (without magazine):		6.06#	
l. Weight with bipod, without magazines:		6.37#	
m. Weight of 20 round magazines - empty (aluminum):	(3 oz.)		.18#
n. Weight of 20 round magazines - full (aluminum):	(12 oz.)		.75#
o. Weight of 30 round magazines - empty (aluminum):			.22#
p. Weight of 30 round magazines - full (aluminum):			.97#
q. Operation:	Gas		
r. Feed:	Magazine		
s. Muzzle velocity:	3050 Ft./Sec.		
t. Rate of fire:	750 R.P.M.		
u. Type of firing:	Semi and full automatic		
v. Number of parts and assemblies:			
w. Muzzle energy:	1320 Ft./Lbs.		
x. Safety:	Rotary-blocks trigger		

4. Unique Features:

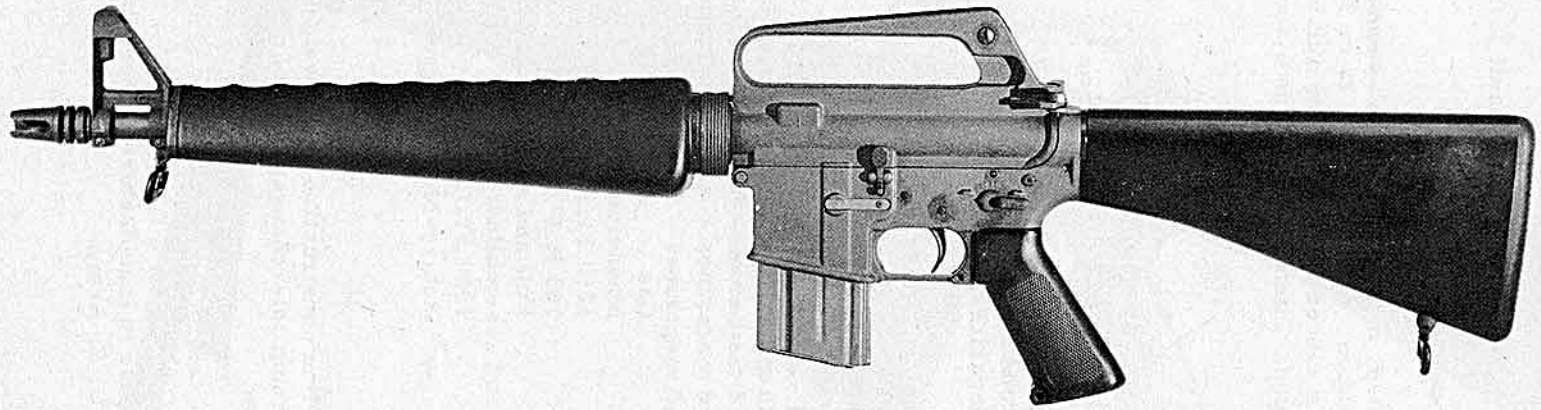
Gas system, straight line construction, light weight simplicity of maintenance, maximum interchangeability of parts with other elements of the system.

5. Proprietary Status:

Colt's holds sole license to manufacture. Licensing proposal has been made to the U. S. Army.

6. Availability:

Immediate.



COLT'S INC FIREARMS DIVISION

COLT AR-15 WEAPONS SYSTEMS

1. Weapon: CAR-15 Heavy Assault Rifle M1

2. Description and Purpose:

Gas operated, air cooled, magazine fed semi-automatic and full automatic shoulder weapon. It feeds from a 20 or 30 round magazine, fires from a closed bolt and has as additional equipment a bayonet and bipod. Intended for use as a squad heavy automatic rifle.

3. Characteristics:

a. Caliber:	5.56 mm.	
b. Overall Length:	38.6"	
c. Width:	1.4"	
d. Height (with 20 round magazine):	8.7"	
e. Height (with 30 round magazine):	9.8"	
f. Height (without magazines):	8.7"	
g. Length of barrel:	20"	
h. Rifling:	Button	
i. Pitch:	1 in 12"	
j. Number of grooves:	6	
k. Weight (without magazine):	7.6#	
l. Weight with bipod, without magazines:	8.1#	
m. Weight of 20 round magazines - empty - (aluminum):	(3 oz.)	.18#
n. Weight of 20 round magazines - full - (aluminum):	(12 oz.)	.75#
o. Weight of 30 round magazines - empty - (aluminum):		.22#
p. Weight of 30 round magazines - full - (aluminum):		.97#
q. Operation:	Gas	
r. Feed:	Magazine	
s. Muzzle velocity:	3250 Ft./Sec.	
t. Rate of fire:	750 R.P.M.	
u. Type of firing:	Full and semi-automatic	
v. Number of parts and assemblies:		
w. Muzzle energy:	1320 Ft./Lbs.	
x. Safety:	Rotary-blocks trigger	

4. Unique Features:

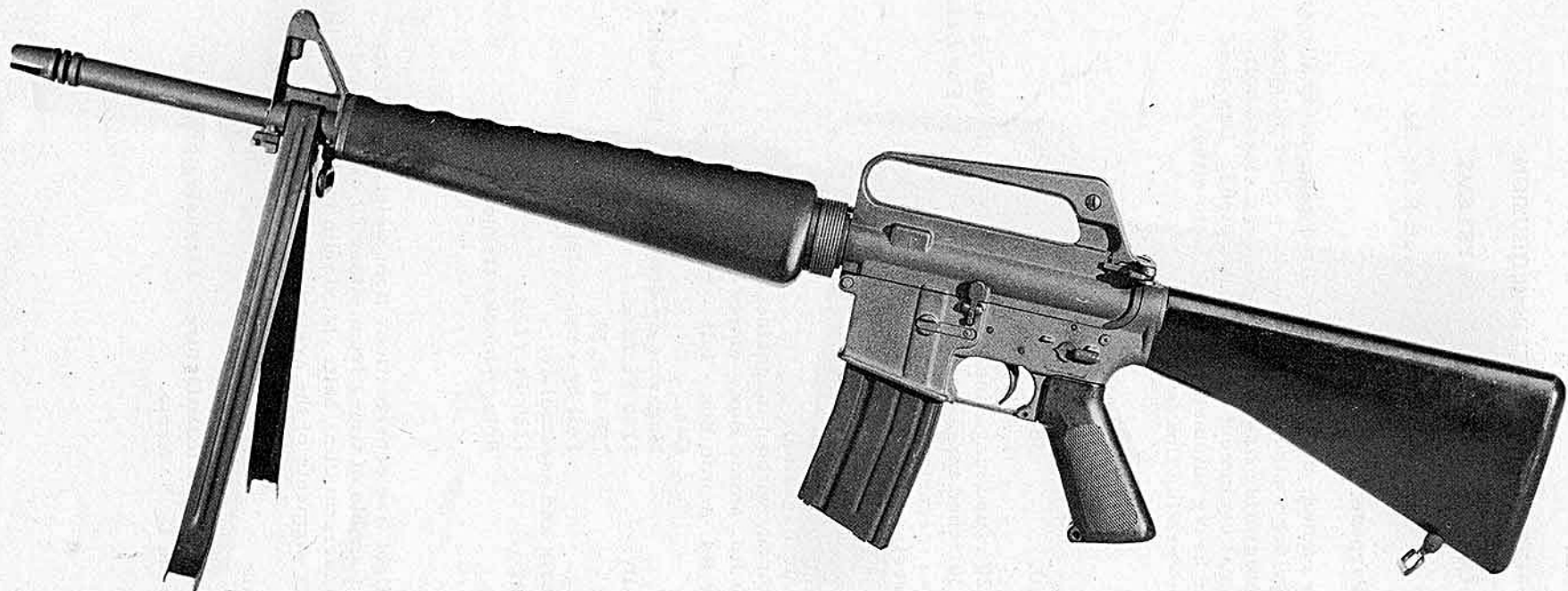
Gas system, straight line construction, light weight simplicity of maintenance, maximum interchangeability of parts with other elements of the system.

5. Proprietary Status:

Colt's holds sole license to manufacture. Licensing proposal has been made to the U. S. Army.

6. Availability:

60 days.



COLT'S INC FIREARMS DIVISION

COLT AR-15 WEAPONS SYSTEMS

1. Weapon: CAR-15 Heavy Assault Rifle M2

2. Description and Purpose:

Gas operated, air cooled, magazine or belt fed semi-automatic and full automatic shoulder weapon. It feeds from a 20 or 30 round magazine or disintegrating link belt, fires from a closed bolt and has as additional equipment a bayonet and bipod. Designed for use as a squad heavy automatic rifle fed from either a magazine or disintegrating link belt.

3. Characteristics:

- a. Caliber: 5.56 mm.
- b. Overall Length: 38.6"
- c. Width: 1.4"
- d. Height (with 20 round magazine): 8.7" - With 120 rd. ammo box - 11.8"
- e. Height (with 30 round magazine): 9.8" - For Belt Feed.
- f. Height (without magazines): 8.7" -
- g. Length of barrel: 20"
- h. Rifling: Button
- i. Pitch: 1 in 12"
- j. Number of grooves: 6
- k. Weight (without magazine): 8.3#
- l. Weight with bipod, without magazines: 8.8#
- m. Weight of 120 Rd. ammo Box - empty - 1.2#
- n. Weight of 120 Rd. ammo Box - full - 4.7#
- o. Operation: Gas
- p. Feed: Magazine or disintegrating link belt
- q. Muzzle velocity: 3250 Ft./Sec.
- r. Rate of fire: 750 R.P.M.
- s. Type of firing: Full or semi-automatic
- t. Number of parts and assemblies:
- u. Muzzle energy: 1320 Ft./Lbs.
- v. Safety: Rotary-blocks trigger

4. Unique Features:

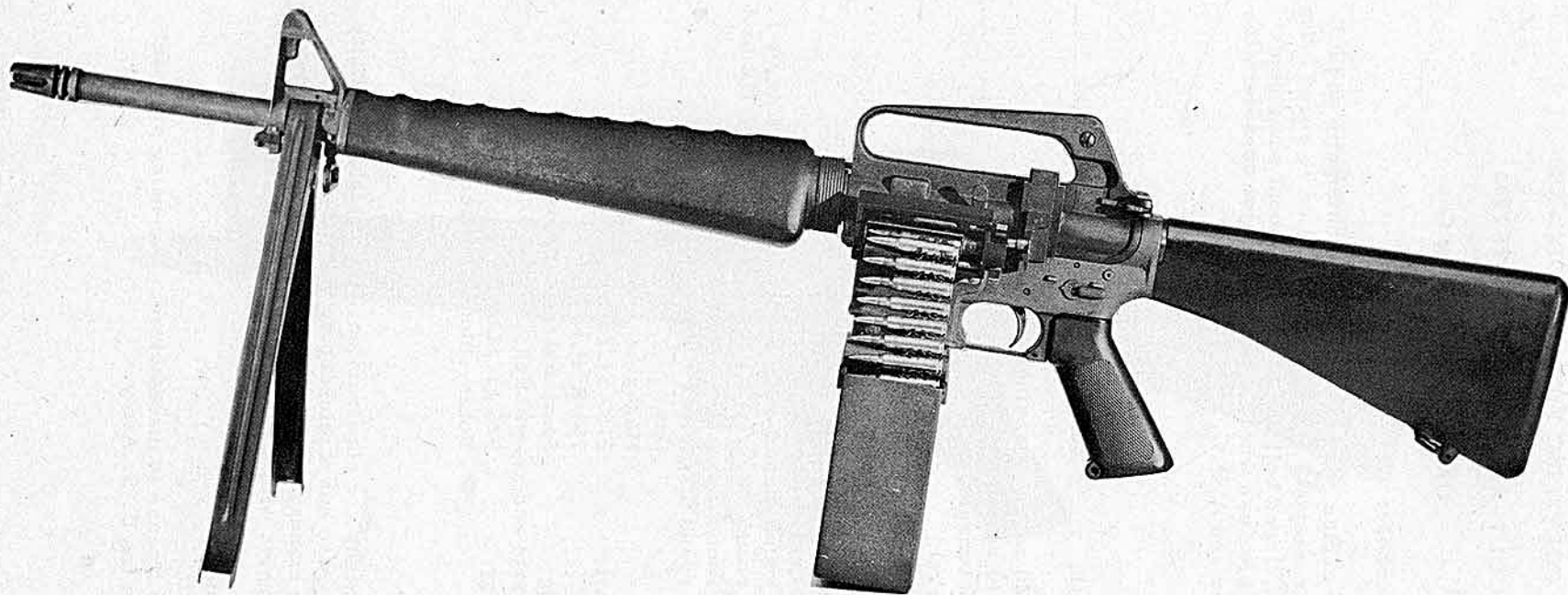
Gas system, straight line construction, light weight simplicity of maintenance. Capable of firing from either 20 or 30 round magazine or disintegrating link belt. Maximum interchangeability of parts with other elements of the system.

5. Proprietary Status:

Colt's holds sole license to manufacture. Licensing proposal has been made to the U. S. Army.

6. Availability:

60 days.



COLT'S INC FIREARMS DIVISION

COLT AR-15 WEAPONS SYSTEM

1. Weapon: CAR-15 Sub-Machine Gun

2. Description and Purpose:

Gas operated, air cooled, magazine fed semi-automatic and full automatic shoulder weapon. It feeds from a 20 or 30 round magazine, fires from a closed bolt and has as additional equipment a bipod. Designed for use where space is a major consideration by tank, helicopter and A.P.C. crews, etc.

3. Characteristics:

a. Caliber:	5.56 mm.	
b. Overall Length:	26" 28.7" Extended	
c. Width:	1.4"	
d. Height (with 20 round magazine):	8.0"	
e. Height (with 30 round magazine):	9.875"	
f. Height (without magazines):	7.2"	
g. Length of barrel:	10"	
h. Rifling:	Button	
i. Pitch:	1 in 12	
j. Number of grooves:	6	
k. Weight (without magazine):	5.25#	
l. Weight with bipod, without magazines:		
m. Weight of 20 round magazines - empty (aluminum): (3 oz.)		.18#
n. Weight of 20 round magazines - full (aluminum): (12 oz.)		.75#
o. Weight of 30 round magazines - empty (aluminum):		.22#
p. Weight of 30 round magazines - full (aluminum):		.97#
q. Operation:	Gas	
r. Feed:	Magazine	
s. Muzzle velocity:	2750 Ft./Sec.	
t. Rate of fire:	750 R.P.M.	
u. Type of firing:	Semi and full automatic	
v. Number of parts and assemblies:		
w. Muzzle energy:	925 Ft./Lbs.	
x. Safety:	Rotary-blocks trigger	

4. Unique Features:

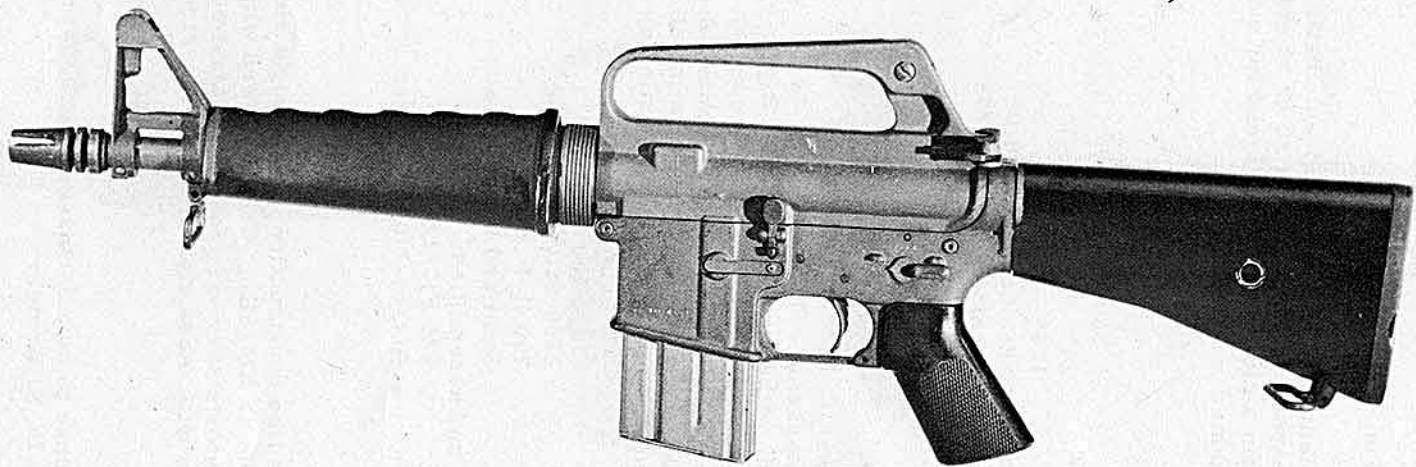
Gas system, straight line construction, light weight simplicity of maintenance. Also has a telescoping butt stock to permit employment with standard sighting position. Maximum interchangeability of parts with other elements of the system.

5. Proprietary Status:

Colt's holds sole license to manufacture. Licensing proposal has been made to the U. S. Army.

6. Availability:

60 days.



COLT'S INC FIREARMS DIVISION
COLT AR-15 WEAPONS SYSTEMS

1. Weapon: CAR-15 Survival Rifle

2. Description and Purpose:

Gas operated, air cooled, magazine fed semi-automatic and full automatic shoulder weapon. It feeds from a 20 or 30 round magazine and fires from a closed bolt. Designed for aviation use as a survival weapon.

3. Characteristics:

a. Caliber:	5.56 mm.	
b. Overall Length:	29"	
c. Width:	1.4"	
d. Height (with 20 round magazine):	8.0"	
e. Height (with 30 round magazine):	9.875"	
f. Height (without magazines):	7.2"	
g. Length of barrel:	10"	
h. Rifling:	Button	
i. Pitch:	1 in 12"	
j. Number of grooves:	6	
k. Weight (without magazine):	4.75#	
l. Weight with bipod, without magazines:	No Bipod	
m. Weight of 20 round magazines - empty (aluminum):	(3 oz.)	.18#
n. Weight of 20 round magazines - full (aluminum):	(12 oz.)	.75#
o. Weight of 30 round magazines - empty (aluminum):		.22#
p. Weight of 30 round magazines - full (aluminum):		.97#
q. Operation:	Gas	
r. Feed:	Magazine	
s. Muzzle velocity:	2750 Ft./Sec.	
t. Rate of Fire:	750 R.P.M.	
u. Type of firing:	Semi and full automatic	
v. Number of parts and assemblies:		
w. Muzzle energy:	925 Ft./Lbs.	
x. Safety:	Rotary-blocks trigger	

4. Unique Features:

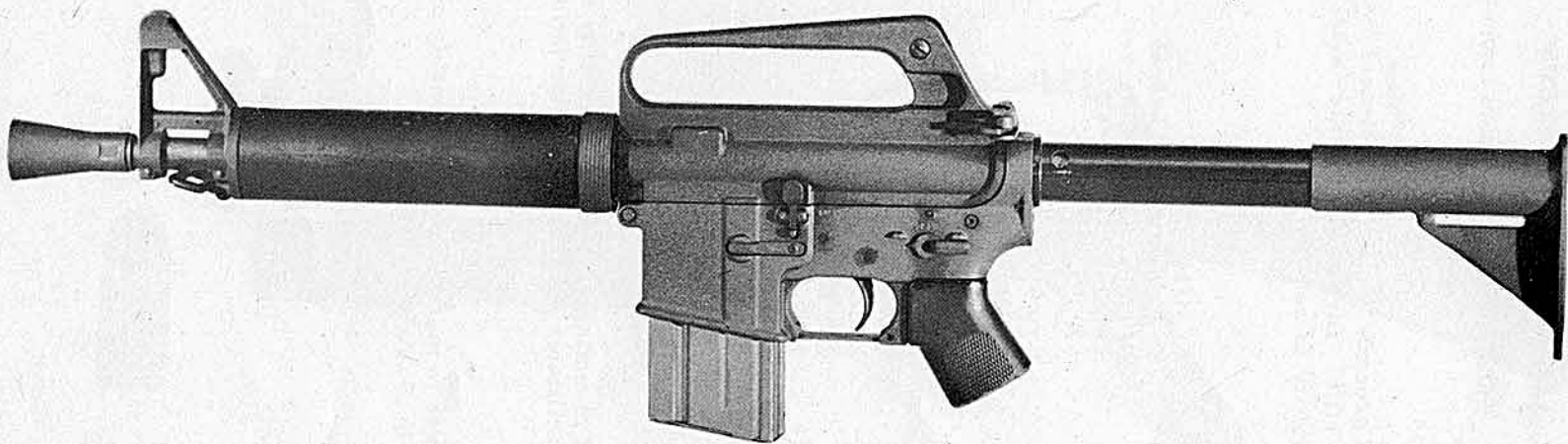
Gas system, straight line construction, light weight simplicity of maintenance. Same as XM16E1. Can be stowed with 80 rounds of ammunition in aviator's survival seat pack. Maximum interchangeability of parts with other elements of the system.

5. Proprietary Status:

Colt's holds sole license to manufacture. Licensing proposal has been made to the U. S. Army.

6. Availability:

60 days.



COLT'S INC FIREARMS DIVISION

COLT AR-15 WEAPONS SYSTEMS

1. Weapon: CGL-4 40 M/M Grenade Launcher

2. Description and Purpose:

40 M/M self-contained grenade launcher attachment capable of being mounted on any AR-15 rifle. Gives the grenadier selection of either point or area fire capability as required.

3. Characteristics:

- a. Caliber: 40 M/M
- b. Overall Length: 11 inches with 8" barrel
13 inches with 10" barrel
- c. Width: with sight 3.6"
- d. Height: 5.5"
- e. Length of barrel: 8 or 10"
- f. Rifling: Broached
- g. Pitch: 1 turn in 48"
- h. Number of grooves: 6
- i. Weight: 2.5#
- j. Operation: Manual
- k. Feed: Hand
- l. Muzzle velocity: 257 Ft./Sec.
- m. Rate of fire: 12 R.P.M.
- n. Type of firing: Single shots
- o. Number of parts and assemblies:
4 assemblies and 45 parts (32) parts in sight

4. Unique Features:

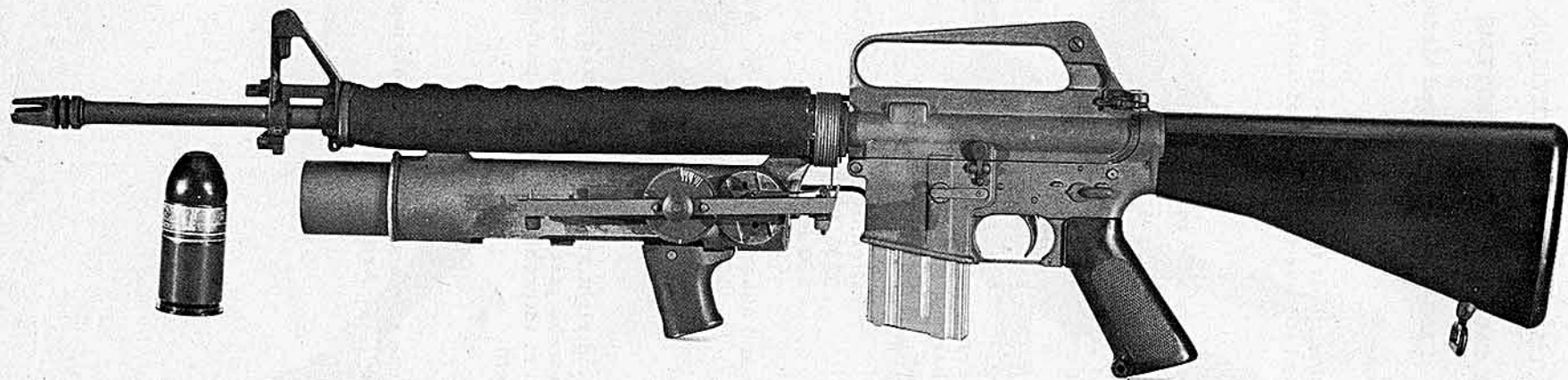
Light weight - ease of mounting - ease of adaptability to most weapons - simplicity of design facilitates maintenance in the field.

5. Proprietary Status:

Colt's holds sole license to manufacture. Licensing proposal has been made to the U. S. Army.

6. Availability:

180 days.



COLT'S INC FIREARMS DIVISION
COLT CMG-1 WEAPONS SYSTEMS

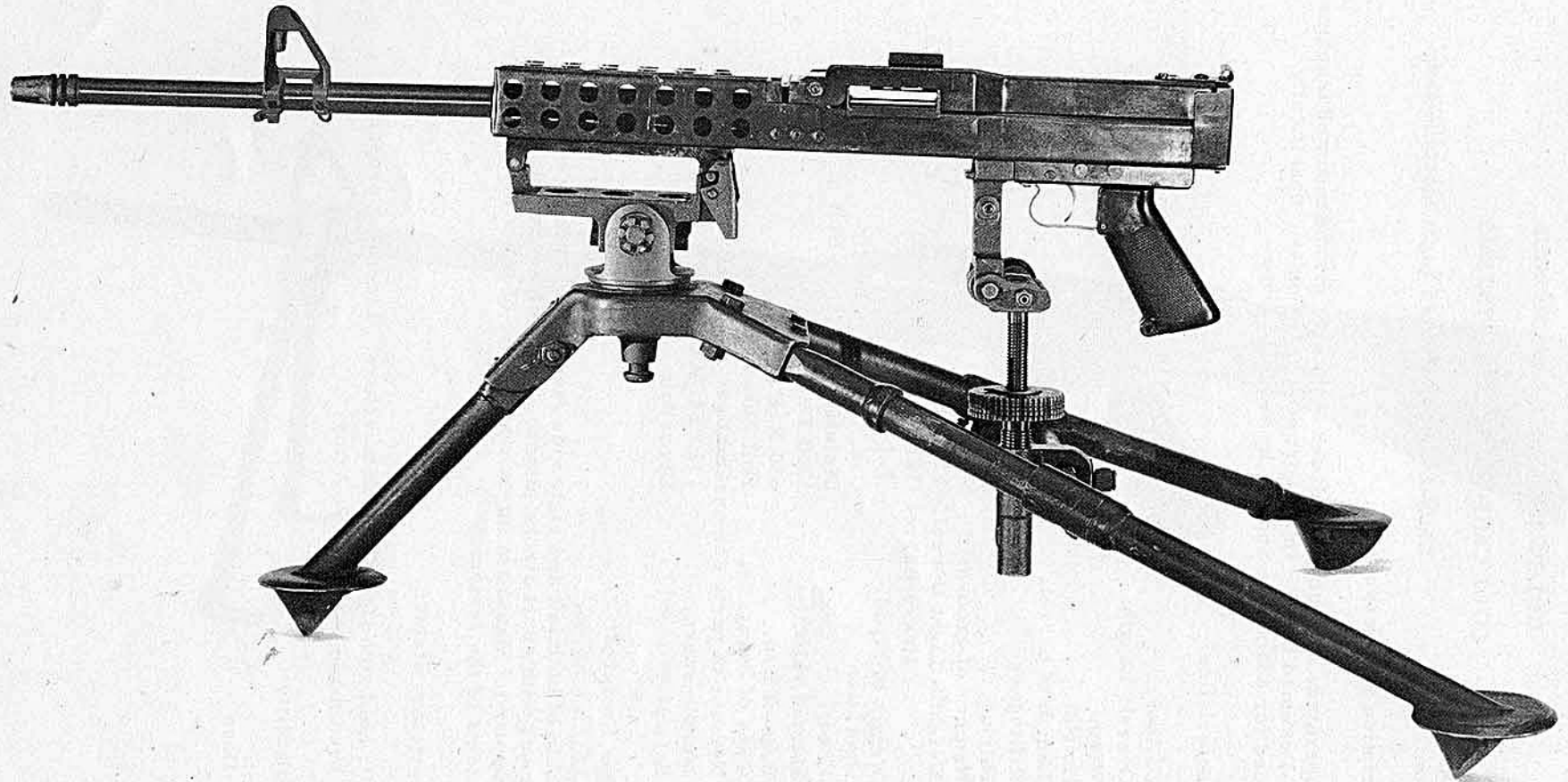
1. Weapon: CMG-1 Tripod Mounted Medium Machine Gun
2. Description and Purpose:

Gas operated, air cooled, belt fed automatic ground mounted machine gun. Designed for use in support of infantry units.
3. Characteristics:
 - a. Caliber: 5.56 mm.
 - b. Overall Length: 32"
 - c. Width: 2.3"
 - d. Height: 2.8"
 - e. Length of barrel: 20"
 - f. Rifling: Button
 - g. Pitch: 1 in 12"
 - h. Number of grooves: 6
 - i. Weight - Light barrel - 11.5 lbs.
Heavy barrel - 12.4 lbs.
 - j. Weight of tripod - 12.5 lbs.
 - k. Operation: Gas
 - l. Feed: Disintegrating Link Belt
 - m. Muzzle velocity: 3250 Ft./Sec.
 - n. Rate of fire: 650 R.P.M.
 - o. Type of firing: Full Automatic
 - p. Number of parts and assemblies - Parts 60, Assemblies 4
 - q. Muzzle energy: 1320 Ft./Lbs.
 - r. Safety: Crossbolt
4. Unique Features:

Capable of both left and right side feed. Also capable of being equipped with short stroke piston. Sheet metal stampings extensively used. Maximum interchangeability of parts with other elements of the system.
5. Proprietary Status:

Colt's hold sole license to manufacture. Licensing proposal has been made to the U. S. Army.
6. Availability:

180 days.



COLT'S INC FIREARMS DIVISION
COLT CMG-1 WEAPONS SYSTEMS

1. Weapon: CMG-1 Bipod Mounted Light Machine Gun

2. Description and Purpose:

Gas operated, air cooled, belt fed automatic ground mounted machine gun. Designed for use in support of infantry units. Specifically intended for adaptation and use by assault troops.

3. Characteristics:

- a. Caliber: 5.56 mm.
- b. Overall Length: 40.7"
- c. Width: 2.3"
- d. Height: 2.8"
- e. Length of barrel: 20"
- f. Rifling: Button
- g. Pitch: 1 in 12"
- h. Number of grooves: 6
- i. Weight - Light Barrel - 11.5 lbs.
Heavy Barrel 12.4 lbs.
- j. Weight of bipod - 1.1 lbs.
- k. Operation: Gas
- l. Feed: Disintegrating Link Belt
- m. Muzzle velocity: 3250 Ft./Sec.
- n. Rate of fire: 650 R.P.M.
- o. Type of firing: Full Automatic
- p. Number of parts and assemblies: Parts 60, Assemblies 4
- q. Muzzle energy: 1320 Ft./Lbs.
- r. Safety: Crossbolt

4. Unique Features:

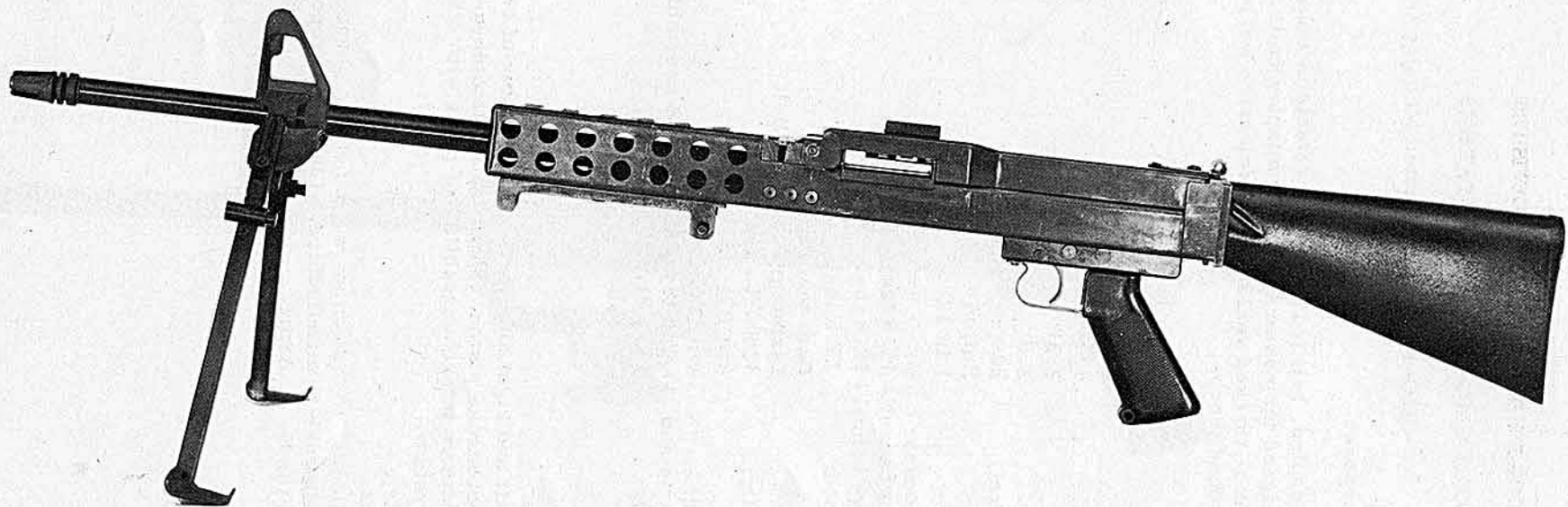
Capable of both left and right side feed. Also capable of being equipped with short stroke piston. Sheet metal stampings extensively used. Maximum interchangeability of parts with other elements of the system.

5. Proprietary Status:

Colt's hold sole license to manufacture. Licensing proposal has been made to the U. S. Army.

6. Availability:

180 Days.



COLT'S INC FIREARMS DIVISION
COLT CMG-1 WEAPONS SYSTEMS

1. Weapon: CMG-1 Vehicle Mounted Machine Gun

2. Description and Purpose:

Gas operated, air cooled, belt fed automatic vehicle mounted machine gun. Designed for use in support of infantry units. For use on wheeled or tracked vehicles as a defensive weapon or in support of ground troops.

3. Characteristics:

- a. Caliber: 5.56 mm.
- b. Overall Length: 40.7"
- c. Width: 2.3"
- d. Height: 2.8"
- e. Length of barrel: 20"
- f. Rifling: Button
- g. Pitch: 1 in 12"
- h. Number of grooves: 6
- i. Weight - Light barrel - 11.5 lbs
Heavy barrel 12.4 lbs.
- j. Weight of tripod: 12.5 lbs.
- k. Operations: Gas
- l. Feed: Disintegrating Link Belt
- m. Muzzle velocity: 3250 Ft./Sec.
- n. Rate of fire: 650 R.P.M.
- o. Type of firing: Full automatic
- p. Number of parts and assemblies - 60 parts, 4 assemblies
- q. Muzzle energy: 1320 Ft./Lbs.
- r. Safety: Crossbolt

4. Unique Features:

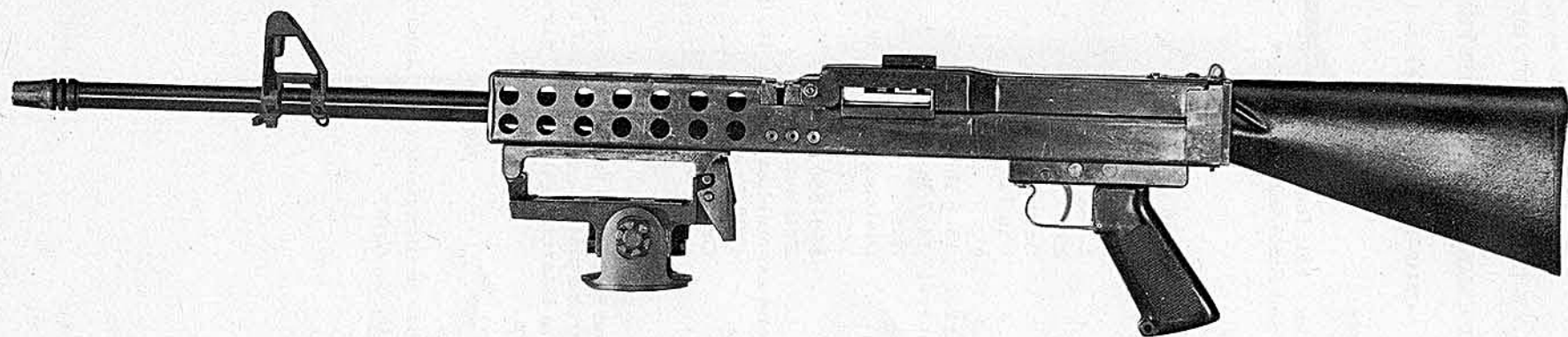
Capable of both left and right side feed. Also capable of being equipped with short stroke piston. Sheet metal stampings extensively used. Maximum interchangeability of parts with other elements of the system.

5. Proprietary Status:

Colt's holds sole license to manufacture. Licensing proposal has been made to the U. S. Army.

6. Availability:

180 Days.



COLT'S INC FIREARMS DIVISION
COLT CMG-1 WEAPONS SYSTEMS

1. Weapon: CMG-1 Solenoid Operated Fixed Machine Gun
2. Description and Purpose:

Gas operated, air cooled, belt fed solenoid machine gun. Produced for use in helicopters and fixed wing aircraft.
3. Characteristics:
 - a. Caliber: 5.56 mm
 - b. Overall Length: 35"
 - c. Width: 2.3"
 - d. Height: 2.8"
 - e. Length of barrel: 20"
 - f. Rifling: Button
 - g. Pitch: 1 in 12"
 - h. Number of grooves: 6
 - i. Weight - Light barrel - 13.6 lbs.
Heavy barrel 14.7 lbs.
 - j. Operation: Gas
 - k. Feed: Disintegrating Link Belt
 - l. Muzzle velocity: 3250 Ft./Sec.
 - m. Rate of fire: 650-850 R.P.M.
 - n. Type of firing: Full automatic
 - o. Number of parts and assemblies - 60 parts, 5 assemblies
 - p. Muzzle energy: 1320 Ft./ Lbs.
 - q. Safety: Crossbolt
4. Unique Features:

Capable of both left and right side feed. Also capable of being equipped with short stroke piston. Sheet metal stampings extensively used. Maximum interchangeability of parts with other elements of the system.
5. Proprietary Status:

Colt's holds sole license to manufacture. Licensing proposal has been made to the U. S. Army.
6. Availability:

180 days.

