



# CIVIL DEFENSE ARMAMENTS

## J2 Conversion - belt feed

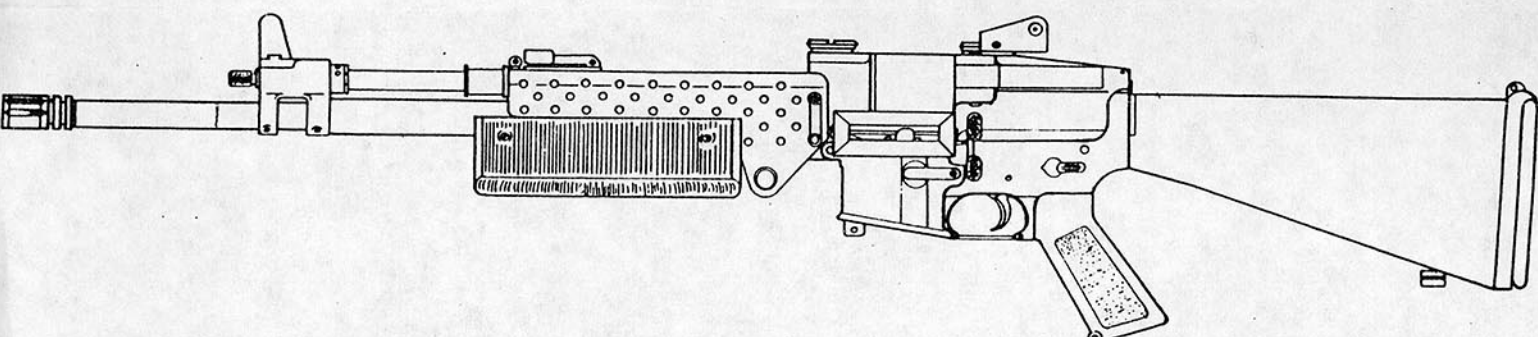
adj. gas regulator

choice of sights

bi-pod mount

weaver type sight blocks

top mount sling hooks



wide choice of barrels

6 second barrel change

pintle mount

bottom link ejection

T+E mount

shoulder rest

The J2 upper receiver mounted on the standard AR-15/M-16™ lower receiver, permits use of M-27 disintegrating link for belt feed operation while retaining ability to use the standard box magazine. The J2 Conversion allows the creation of a weapons system with a wide variety of applications.

caliber.....4.7 mm, 5.56 mm, 6mm	dual feed.....M-27 link, standard magazine
barrel length.....20", 16", 11½"	bottom barrel changing for low profile
weight of model shown.....12 lbs.	sustained rate of fire.....200 r.p.m.
method of operation.....gas	wide choice of handguards and stocks
cyclic rate.....adjustable 500 to 1000 r.p.m.	vast array of shooting accessories available

BUSINESS OFFICE --- (213) 866-6775

RSD DIRECTOR --- (714) 674-0814

### CDA

504-C Spring St.  
Lk. Elsinore, CA  
92330

Digitized by: